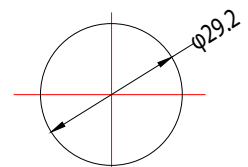
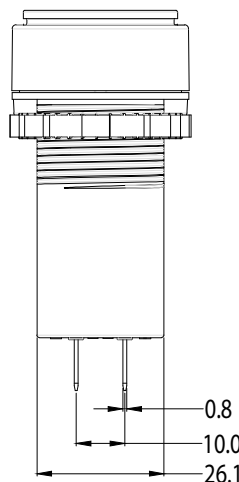
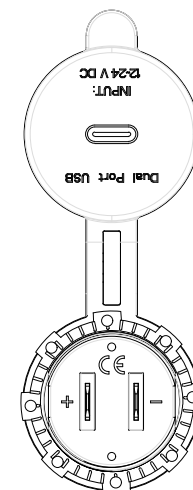
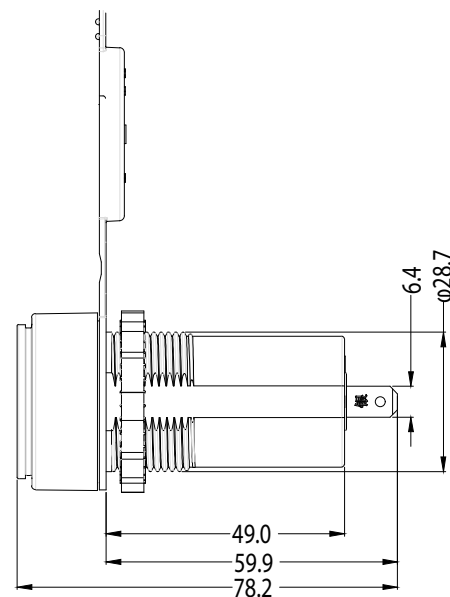
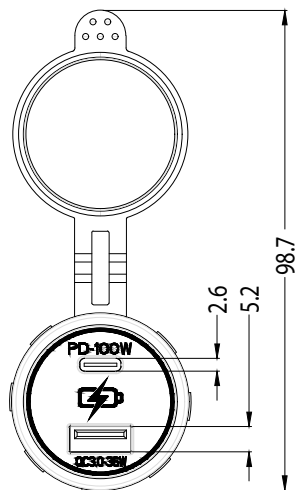
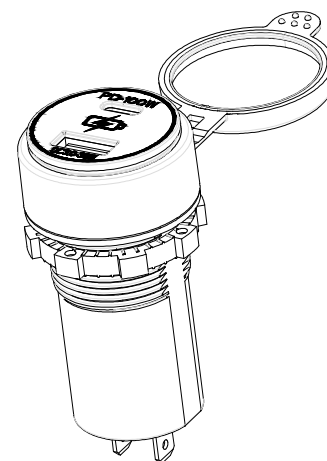
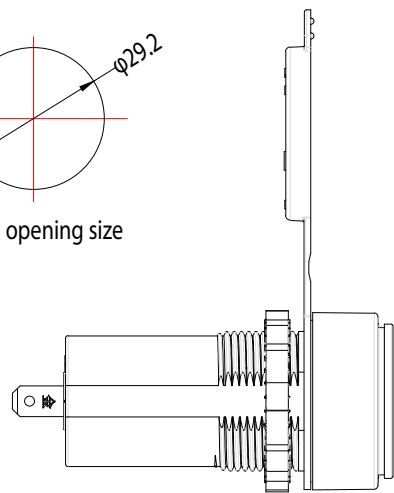


Technical requirement:

1	Part Number	
2	Over voltage protection	Yes
3	Over current protection	Yes
4	Over temperature protection	Yes
5	Short circuit protection	Yes
6	Reverse polarity protection	Yes
7	Temperature resistance	-25°C<T<85°C MIN
8	Nominal Voltage	12V/24V DC
9	Operating Voltage	12V/32v DC(max)
10	Peak Voltage	36V DC(max)(3-4seconds)
11	Maximum Power	136W MAX
12	output	USB-A:5V/3A, 9V/3A, 12V/3A USB-C:5V/3A,9V/3A,12V/3A, 15V/3A,20V/5A
13	Input: 12V	12V USB C port, it can boost to output of 20V 5A(100W)
14	Operating Frequency	150~200Khz
15	Current Draw	Quiescent current :20mA
16	Life	5000 operating cycles
17	Sealing/waterproof	IP65
18	Terminals	Copper/nickel plating1/4"(6.3mm)
19	Operating Temperature	-20°C~+60°C



Installation opening size



标记 Mark	记事 Corritor	修改 Revise	核准 Approve	日期 Date	单位 Unit	Inch	未注尺寸公差 General Tolerance		名称 Name	文件编号	页码 Page	版本 REV.	A0
					比例 Scale	1:1	.X±0.5	ANGLES					
					制图 Draw		.XX±0.3	X.° ±5°	料号 Title				
					设计 Design		.XXX±0.1	.X° ±3°					
					审核 Checked		材质 Material						
					批准 Approve		重量 Weight						
							制图日期 Draw date						
									角法 PROJ.	第三角法			

