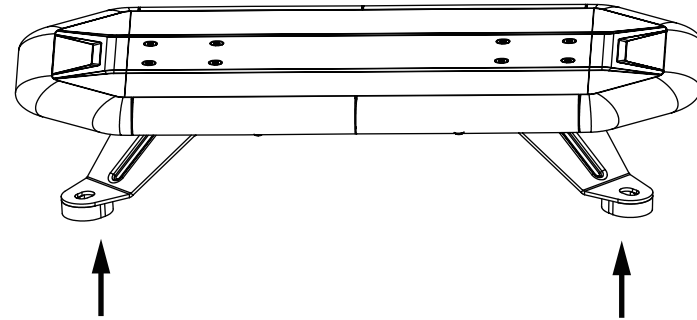


1. Put the two mounting feet onto the aluminium base. Adjust the two feet's distance to make the lightbar fit on the car roof. Then tighten the four bolts of each mounting foot.



2. Put the lightbar on the car roof and tighten the four bolts of the two mounting feet.

#	Pattern	FPM
1	Single Flash By Day (R65 Class 2)	125FPM
2	Single Flash By Night	125FPM
3	Double Flash(R65 Class 2)	125FPM
4	Triple Flash_Alt. Front&Back/All	22FPM
5	Triple Flash_Alt. Middle/Two Ends/All	22FPM
6	All(Single Flash) /All(Quadruple Flash)	53FPM
7	Single Flash:Alt. Left&Right Half	130FPM
8	Tracking Flash: Alt. In&Out	75FPM
9	Tracking Flash	150FPM
10	Cruise	—
11	Center Arrow	75FPM
12	Left Arrow	37.5FPM
13	Right Arrow	37.5FPM

Working voltage:10-30V

Working temperature: -40℃-70℃

