



MINISTERIO
DE INDUSTRIA, COMERCIO Y
TURISMO

DIRECCIÓN GENERAL DE INDUSTRIA Y
DE LA PEQUEÑA Y MEDIANA EMPRESA

SUBDIRECCIÓN GENERAL DE
CALIDAD Y SEGURIDAD INDUSTRIAL

E9*3R02/17*22711*01

Página / Page 1/2



COMUNICACIÓN / COMMUNICATION:

Concerniente a ⁽¹⁾: ~~LA CONCESIÓN DE HOMOLOGACIÓN~~
~~LA EXTENSIÓN DE HOMOLOGACIÓN~~
~~LA DENEGACIÓN DE HOMOLOGACIÓN~~
~~LA RETIRADA DE HOMOLOGACIÓN~~
~~EL CESE DEFINITIVO DE PRODUCCIÓN~~
Concerning ⁽¹⁾: ~~APPROVAL GRANTED~~
~~APPROVAL EXTENDED~~
~~APPROVAL REFUSED~~
~~APPROVAL WITHDRAWN~~
~~PRODUCTION DEFINITELY DISCONTINUED~~

de un tipo de dispositivo catadióptrico en aplicación del Reglamento N°3.
of a type of retro reflecting device pursuant to Regulation No.3.

N° de homologación / Approval No.: E9*3R02/17*22711*01

Extensión N° / Extension No.: 01

1. Marca de fábrica o comercial del dispositivo / Trade name or mark of the device: ORPRO, DEMMON, RAINO
2. Designación del tipo de dispositivo dado por el fabricante / Manufacturer's name for the type of device: SL-5004
3. Nombre y dirección del fabricante / Manufacturer's name and address:
Guangzhou Huiguang Intelligent Technology Co.,Ltd.
Building B, No.3 Donghui Road, Jinghu Industrial Park, Xinya Street, Huadu District, Guangzhou, Guangdong Province, China 510805
4. En su caso, nombre y dirección del representante del fabricante / If applicable, name and address of manufacturer's representative: ---
5. Dispositivo presentado a homologación el / Submitted for approval on: 01/08/2019
6. Servicio técnico encargado de los ensayos de homologación / Technical service responsible for conducting approval test: IDIADA
7. Fecha del informe emitido por dicho servicio / Date of report issued by that service: 15/08/2019
8. Número del informe emitido por dicho servicio / Number of report issued by that service: CN19010118, **CN19080304**

⁽¹⁾ Táchese lo que no proceda / Strike out what does not apply



E9*3R02/17*22711*01

Página / Page 2/2



9. Breve descripción / *Concise description:*

- ~~Aislado~~ / forma parte de un conjunto de dispositivos ⁽¹⁾ / ~~In isolation~~ / part of an assembly of devices ⁽¹⁾
- Color de la luz emitida: ~~blanco~~ / rojo / ~~amarillo auto~~ ⁽¹⁾ / Colour of light emitted: ~~white~~ / red / ~~amber~~ ⁽¹⁾
- Montaje como parte integrante de una luz integrada en la carrocería de un vehículo / Installation as an integral part of a lamp which integrated into the body of a vehicle: ~~si~~ / ~~yes~~ - no / no ⁽¹⁾
- Condiciones geométricas de instalación y variaciones relacionadas, en su caso / Geometrical conditions of installation and relating variations, if any: ---
- Solamente para instalación limitada en altura igual o inferior a 750 mm por encima del suelo / Only for limited mounting height of equal to or less than 750 mm above the ground: ~~si~~ / ~~yes~~ - no / no ⁽¹⁾

10. Posición de la marca de homologación / *Position of the approval mark:* Ver documentación suministrada por el fabricante / *See documentation supplied by the manufacturer.*

11. Motivos de la extensión (en su caso) / *Reason(s) of extension (if applicable):* Ver informe de ensayo nº / *See test report No.* CN19080304

12. ~~Se concede/deniega~~ / extiende / ~~retira~~ la homologación ⁽¹⁾ / Approval ~~granted/refused~~ / extended / ~~withdrawn~~ ⁽¹⁾

13. Lugar / *Place:* Madrid

14. Fecha / *Date:* Ver firma electrónica / *See electronic signature*

15. Firma / *Signature:*

EL SUBDIRECTOR GENERAL DE CALIDAD Y SEGURIDAD INDUSTRIAL
Resolución P.D. del DIRECTOR GENERAL DE INDUSTRIA Y DE LA PYME de 25-10-2012

16. Se adjunta la lista de apartados que constituyen el expediente de homologación depositado en el servicio administrativo que ha concedido la homologación y que pueden ser obtenidos a petición. / *The list of documents deposited with the Administrative Service which has granted approval is annexed to this communication and may be obtained on request.*

- Informe del ensayo / *Test report*
- Documentación suministrada por el fabricante / *Documentation supplied by the manufacturer*

⁽¹⁾ Táchese lo que no proceda / *Strike out what does not apply*

**INFORME N° / REPORT No. CN19080304**

RELATIVO A LA HOMOLOGACIÓN DE DISPOSITIVOS CATADIÓPTICOS PARA VEHÍCULOS A MOTOR Y SUS REMOLQUES SEGÚN EL REGLAMENTO ECE 3.02 / *CONCERNING THE APPROVAL OF RETRO-REFLECTING DEVICES FOR POWER-DRIVEN VEHICLES AND THEIR TRAILERS ACCORDING TO REGULATION 3.02 ECE*

EXTENSIÓN / EXTENSION I

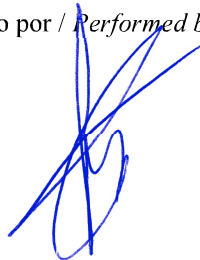
Nombre y dirección del fabricante /
Manufacturer's name and address : Guangzhou Huiguang Intelligent Technology Co., Ltd.
Building B, No.3 Donghui Road, Jinghu Industrial Park, Xinya Street, Huadu District, Guangzhou, Guangdong Province, P. R. China 510805

Marca comercial / *Trade mark* : ORPRO, DEMMON, RAINO

Tipo / *Type* : SL-5004

Lugar y fecha de emisión del informe /
Place and date of test report issue : L'Albornar, Santa Oliva (Tarragona)
15/08/2019

CONCLUSIONES / CONCLUSIONS: as modificaciones introducidas, que se detallan en el Anexo a este Informe, son objeto de extensión de homologación respecto al tipo homologado por este servicio (Informe N° CN19010118) **CUMPLE** las prescripciones relativas a la homologación de dispositivos catadiópticos de Clase IA en aplicación del Reglamento ECE 3.02 según se detalla en el anexo que se adjunta a este informe. / *Modifications introduced, as detailed in the Annex attached to this report, are extension of homologation with respect to formerly certified type performed by this technical department (Test Report No. CN19010118) FULFILLS the prescriptions with regard to the approval of Class IA retro reflecting devices in application of Regulation 3.02 ECE as detailed in the annex to this report.*

Realizado por / *Performed by:*

Joan Fonts Sala
INGENIERO DE ENSAYOS
TEST ENGINEER

V. B° / *Revised by:*

Lluís Sans Gomis
JEFE DE DEPARTAMENTO
DEPARTMENT MANAGER

* LOS RESULTADOS PRESENTADOS SE REFIEREN ÚNICAMENTE A LA MUESTRA ENSAYADA.
THE PRESENTED RESULTS REFER ONLY TO THE TESTED SAMPLE

* QUEDA TERMINANTEMENTE PROHIBIDA LA REPRODUCCIÓN PARCIAL DE ESTE INFORME SIN PERMISO EXPRESO DE IDIADA.
THE PARTIAL REPRODUCTION OF THIS REPORT WITHOUT THE PERMISSION OF IDIADA IS COMPLETELY FORBIDDEN

**ANEXO AL INFORME
ANNEX TO THE REPORT**

RELATIVO A LA HOMOLOGACIÓN DE DISPOSITIVOS CATADIÓPTICOS PARA VEHÍCULOS A MOTOR Y SUS REMOLQUES SEGÚN EL REGLAMENTO ECE 3.02 / *CONCERNING THE APPROVAL OF RETRO-REFLECTING DEVICES FOR POWER-DRIVEN VEHICLES AND THEIR TRAILERS ACCORDING TO REGULATION 3.02 ECE*

Nombre y dirección del fabricante /
Manufacturer's name and address : Guangzhou Huiguang Intelligent Technology Co., Ltd.
Building B, No.3 Donghui Road, Jinghu Industrial Park, Xinya Street, Huadu District, Guangzhou, Guangdong Province, P. R. China 510805

Marca comercial / *Trade mark* : ORPRO, DEMMON, RAINO

Tipo / *Type* : SL-5004

Variantes / *Variants* : SL-5004-L, SL-5004-R, DM-800160, DM-800161
RH-800160, RH-800161

Identificación de las muestras /
Sample identification : CN19080304

Clase / *Class** : IA
~~IB~~
~~IIA~~
~~IIB~~
IVA

Color de la luz emitida /
*Colour of the light emitted ** : ~~Ambar / Amber~~
Rojo / Red
~~Blanco / White~~

* Táchese lo que no proceda / *Strike out what does not apply*

MOTIVOS DE LA EXTENSIÓN / REASONS OF EXTENSION

Añadir solicitante, nuevas variantes(DM-800160, DM-800161, RH-800160, RH-800161) y marcas(DEMMON, RAINO). /*Add applicant, new variants(DM-800160, DM-800161, RH-800160, RH-800161) and new trade marks(DEMMON, RAINO).*

Lugar / *Place*: L'Albornar, Santa Oliva (Tarragona)
Fecha / *Date*: 15/08/2019

Joan Fonts Sala
INGENIERO DE ENSAYOS
TEST ENGINEER

* LOS RESULTADOS PRESENTADOS SE REFIEREN ÚNICAMENTE A LA MUESTRA ENSAYADA.
THE PRESENTED RESULTS REFER ONLY TO THE TESTED SAMPLE

* QUEDA TERMINANTEMENTE PROHIBIDA LA REPRODUCCIÓN PARCIAL DE ESTE INFORME SIN PERMISO EXPRESO DE IDIADA.
THE PARTIAL REPRODUCTION OF THIS REPORT WITHOUT THE PERMISSION OF IDIADA IS COMPLETELY FORBIDDEN




DOCUMENTACIÓN TÉCNICA /
TECHNICAL DOCUMENTATION

INFORMATION FOLDER

FIRST APPLICATION DATE: 05/20/2019

FIRST EXTENSION DATE: 01/08/2019

1. Specification data

Type		SL-5004					
Trade name or mark		 (ORPRO) ,  (DEMMON),  (RAINO)					
Variants		SL-5004-L, SL-5004-R <u>DM-800160, DM-800161</u> <u>RH-800160, RH-800161</u>					
Function		Stop lamp	Rear position lamp	Rear direction indicator	Reverse lamp	Rear fog lamp	Retro-reflector
Emitted colour		Red	Red	Amber	White	Red	Red
Number and category of light source		8x LED, Non-replaceable light source	36 x LED, Non-replaceable light source	16 x LED, Non-replaceable light source	6x LED, Non-replaceable light source	8 x LED, Non-replaceable light source	///
Rated	Voltage	12V/24V	12V/24V	12V/24V	12V/24V	12V/24V	///
	Wattage	1.5W	4.6W	6.1W	2.3W	4.7W	///
Applicable Regulation (ECE)		R7 Cat. S1	R7 Cat.R1	R6 Cat.2a	R23 Cat. AR	R38 Cat. F1	R3 Cat. IA
Location of marking	Trade mark	Marked on Lens					
	Approval mark	Marked on Lens					

2. Construction and material

Construction	Material	Remarks
Lens	PC	Clear
Inner lens	PC	Stop:Red; Tail:Red; D.I: Amber Fog:Red
Housing	PC	Black
Electrical wiring	Copper covered with insulation	---

CN19080304

IDIADA

3. Name and address of applicant

DEMMON OTO YEDEK PARCA IC VE DIS TIC LTD. STI.
Batikoy Mah. Ibrahimzade Cad. Akkor Sok. No:8 Yesilada
Konutlari A Blok D.2 Sinanoba Buyukcekmece-Istanbul,
TURKEY

4. Name and address of manufacturer

Guangzhou Huiguang Intelligent Technology Co., Ltd.
Building B, No.3 Donghui Road, Jinghu Industrial Park, Xinya
Street, Huadu District, Guangzhou, Guangdong Province, P. R.
China 510805

5. Reason of extension

Add applicant, new variants and new trade marks.

NOTE: APPROVAL MARKINGS ARE SHOWN IN THE ATTACHED DRAWINGS.
THIS INFORMATION FOLDER CONSISTS OF **17** PAGES.



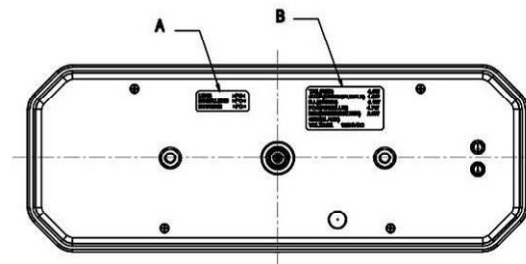
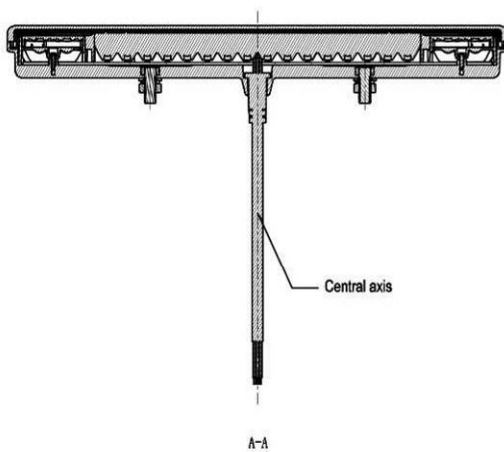
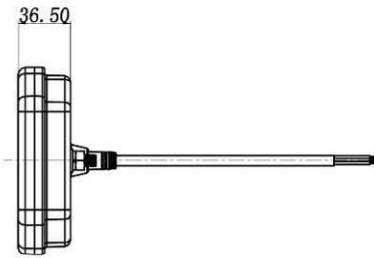
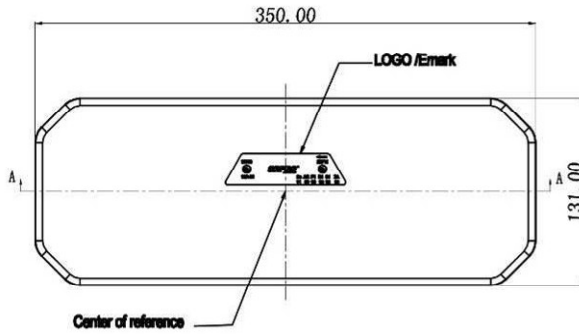
LENS >PC<
INNER LENS >PC<
HOUSING >PC<

TAIL (RED)	4.6W
STOP (GREEN/PURPLE)	1.5W
D.I. (GREEN)	6.1W
FOG (RED/BLUE)	4.7W
REV (GREEN/BROWN)	2.3W
GND (BLACK)	
VOLTAGE	12/24VDC

LOGO /Emark
4:1

A
4:1

B
4:1



Specification:
1.Functions: Tail/Stop/Direction indicator/ Rear fog/Reversing/Reflec;
2.Input Voltage: 12/24V

SL-5004-L



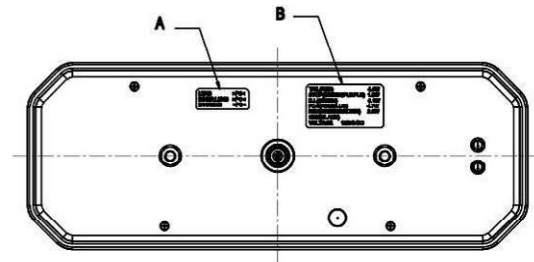
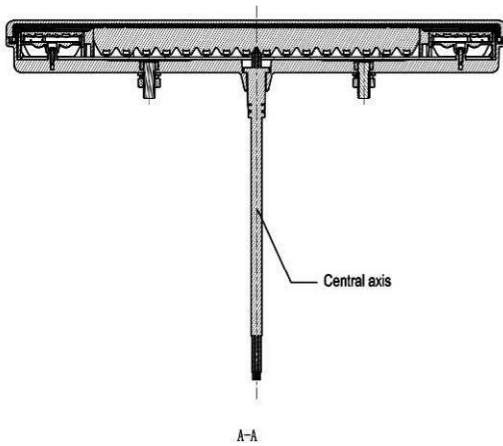
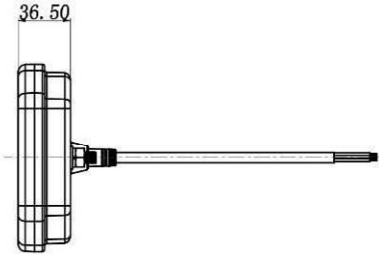
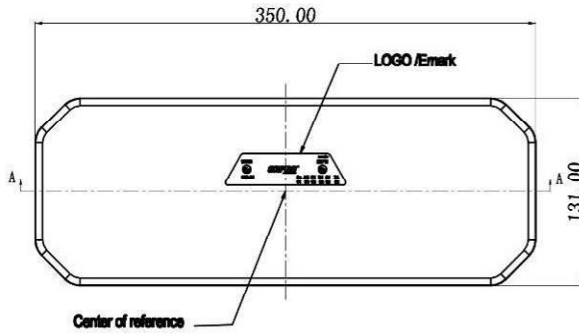
LOGO /Emark
4:1

LENS >PC<
INNER LENS >PC<
HOUSING >PC<

TAIL (RED)	4.6W
STOP (GREEN/PURPLE)	1.5W
D.I. (GREEN)	6.1W
FOG (RED/BLUE)	4.7W
REV (GREEN/BROWN)	2.3W
GND (BLACK)	
VOLTAGE	12/24VDC

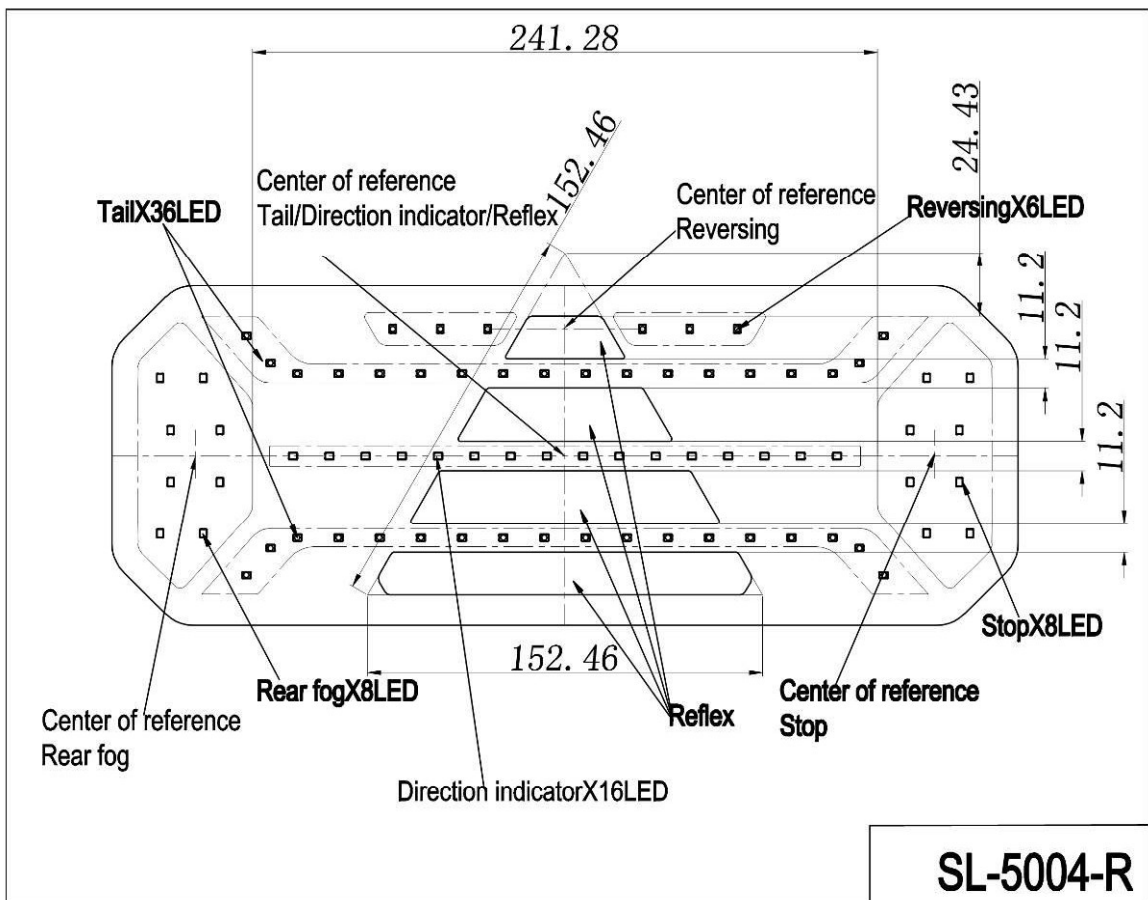
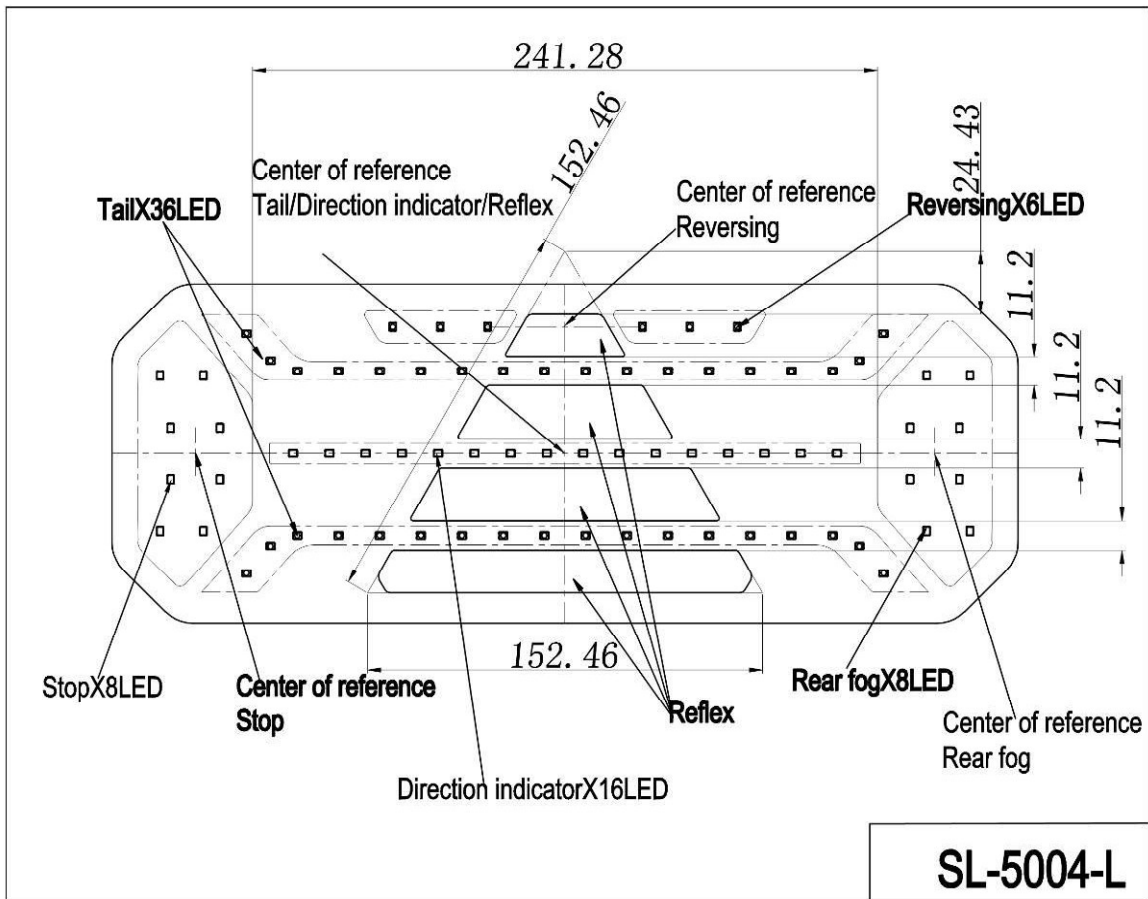
A
4:1

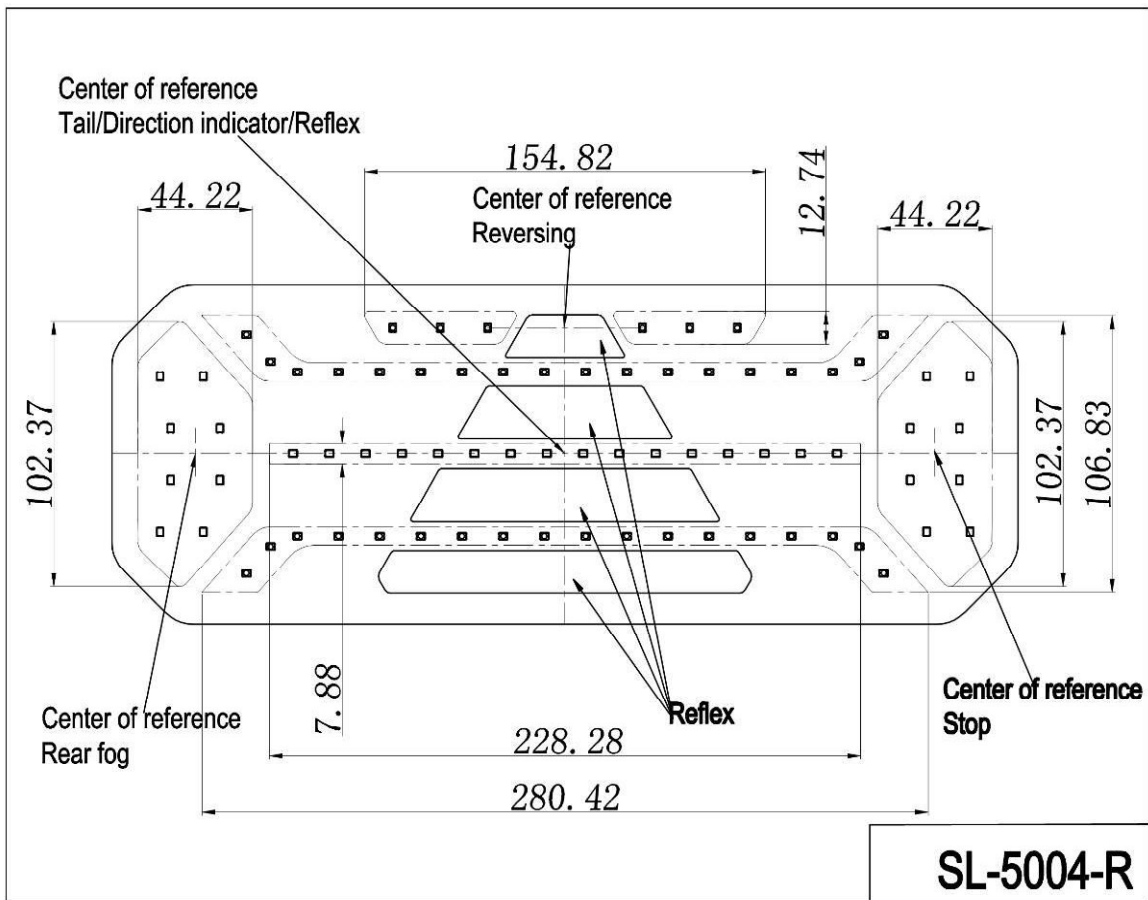
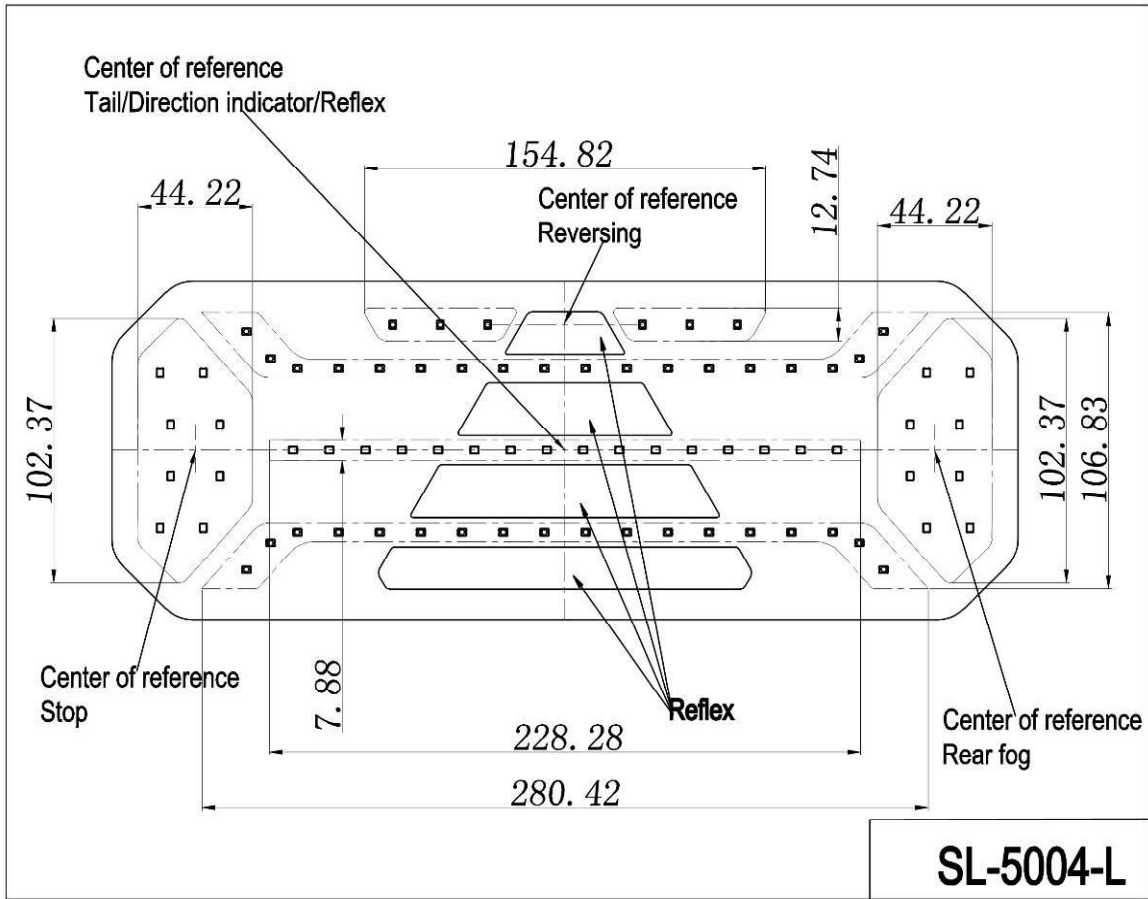
B
4:1

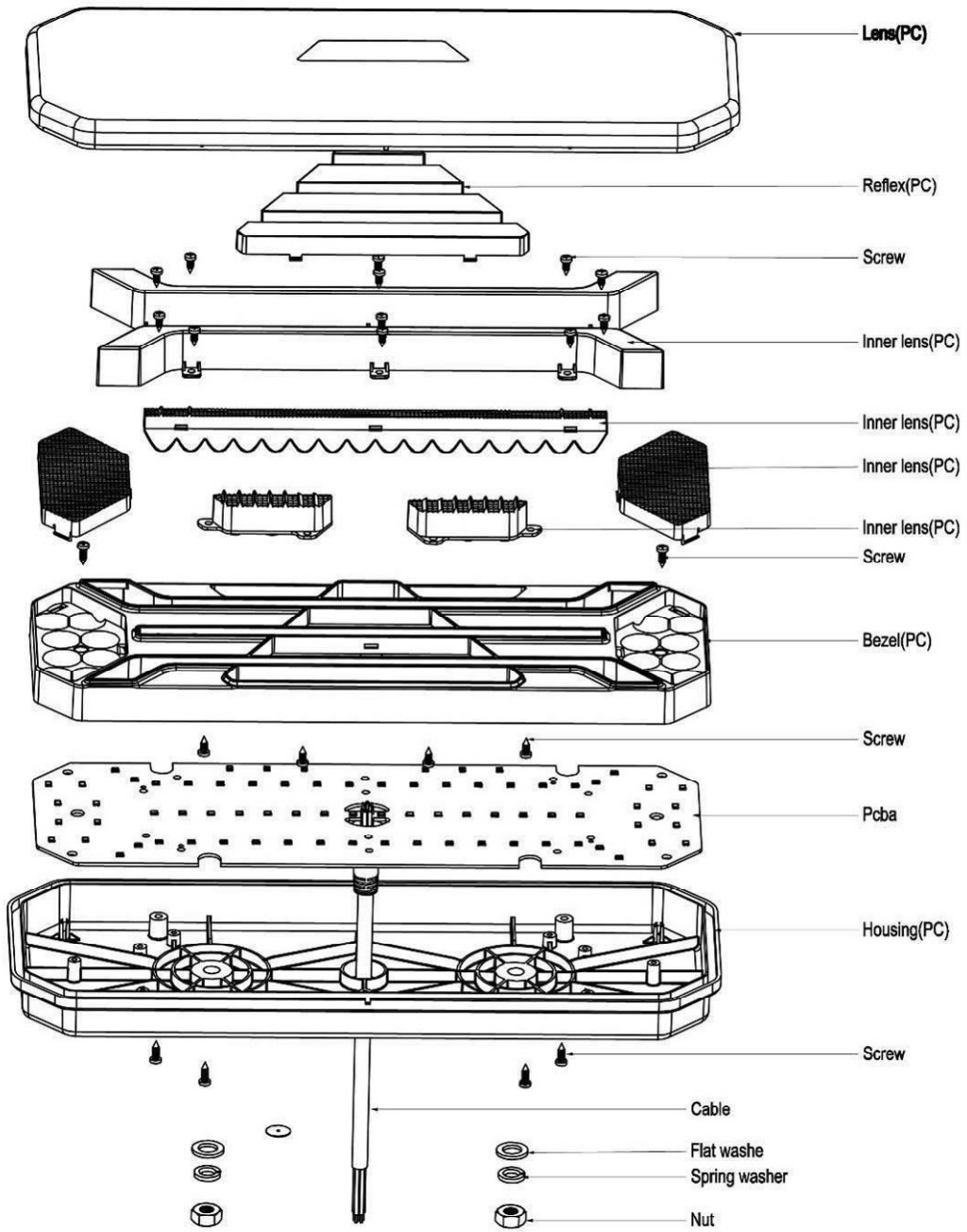


Specification:
1.Functions: Tail/Stop/Direction indicator/ Rear fog/Reversing/Reflec;
2.Input Voltage: 12/24V

SL-5004-R

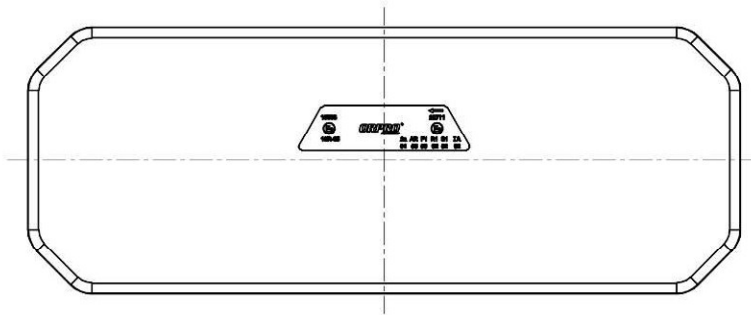




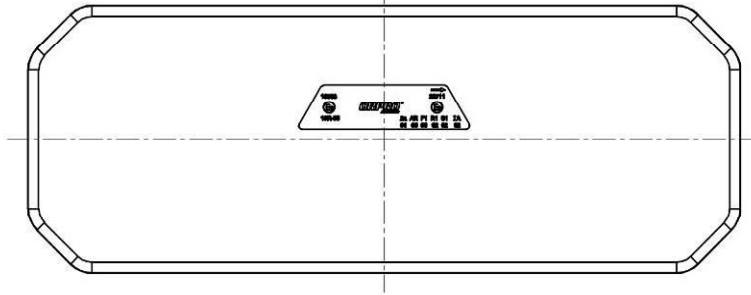


SL-5004

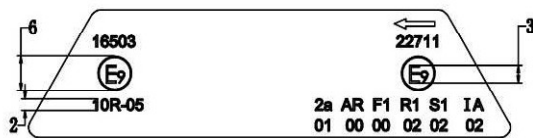
SL-5004-L



SL-5004-R



SL-5004



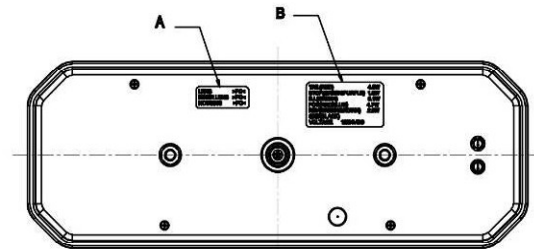
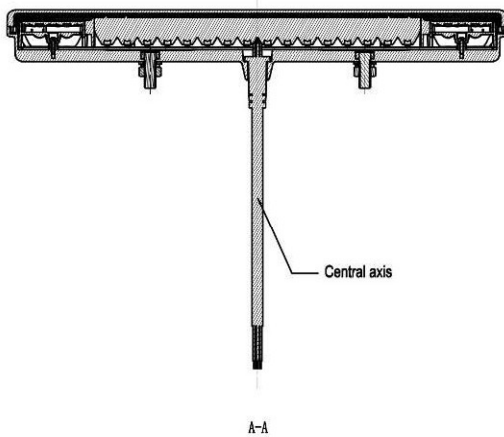
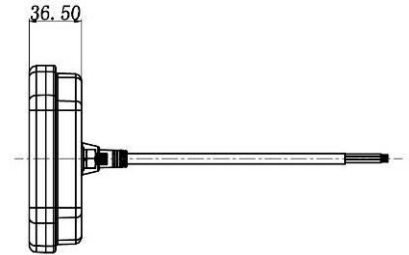
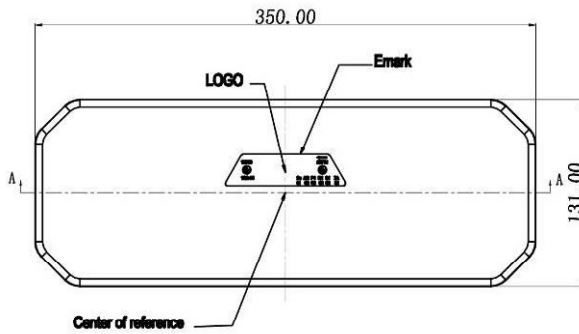
Emerk
4:1

LENS >PC<
INNER LENS >PC<
HOUSING >PC<

A
4:1

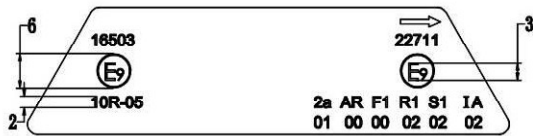
TAIL(RED)	4.6W
STOP(GREEN/PURPLE)	1.5W
D.I.(GREEN)	6.1W
FOG(RED/BLUE)	4.7W
REV(GREEN/BROWN)	2.3W
GND(BLACK)	
VOLTAGE	12/24VDC

B
4:1



Specification:
1.Functions: Tail/Stop/Direction Indicator/ Rear fog/Reversing/Reflex;
2.Input Voltage: 12/24V

DM-800160



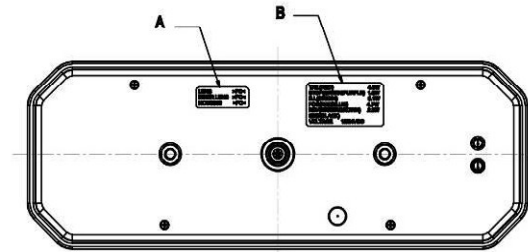
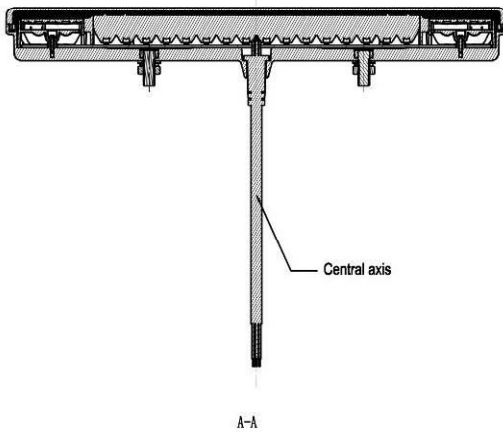
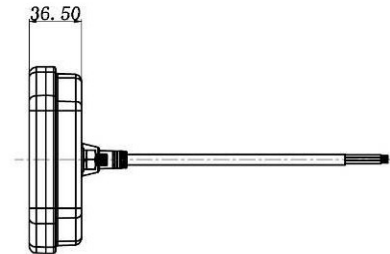
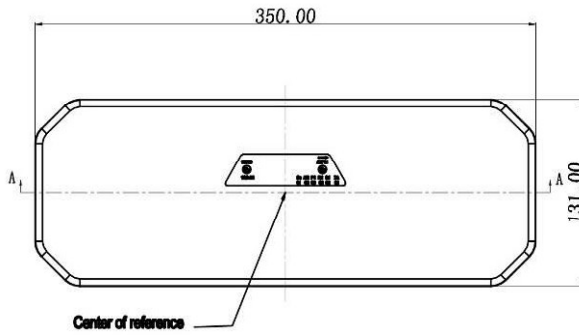
Emark
4:1

LENS >PC<
INNER LENS >PC<
HOUSING >PC<

TAIL (RED)	4.6W
STOP (GREEN/PURPLE)	1.5W
D.I. (GREEN)	6.1W
FOG (RED/BLUE)	4.7W
REV (GREEN/BROWN)	2.3W
GND (BLACK)	
VOLTAGE	12/24VDC

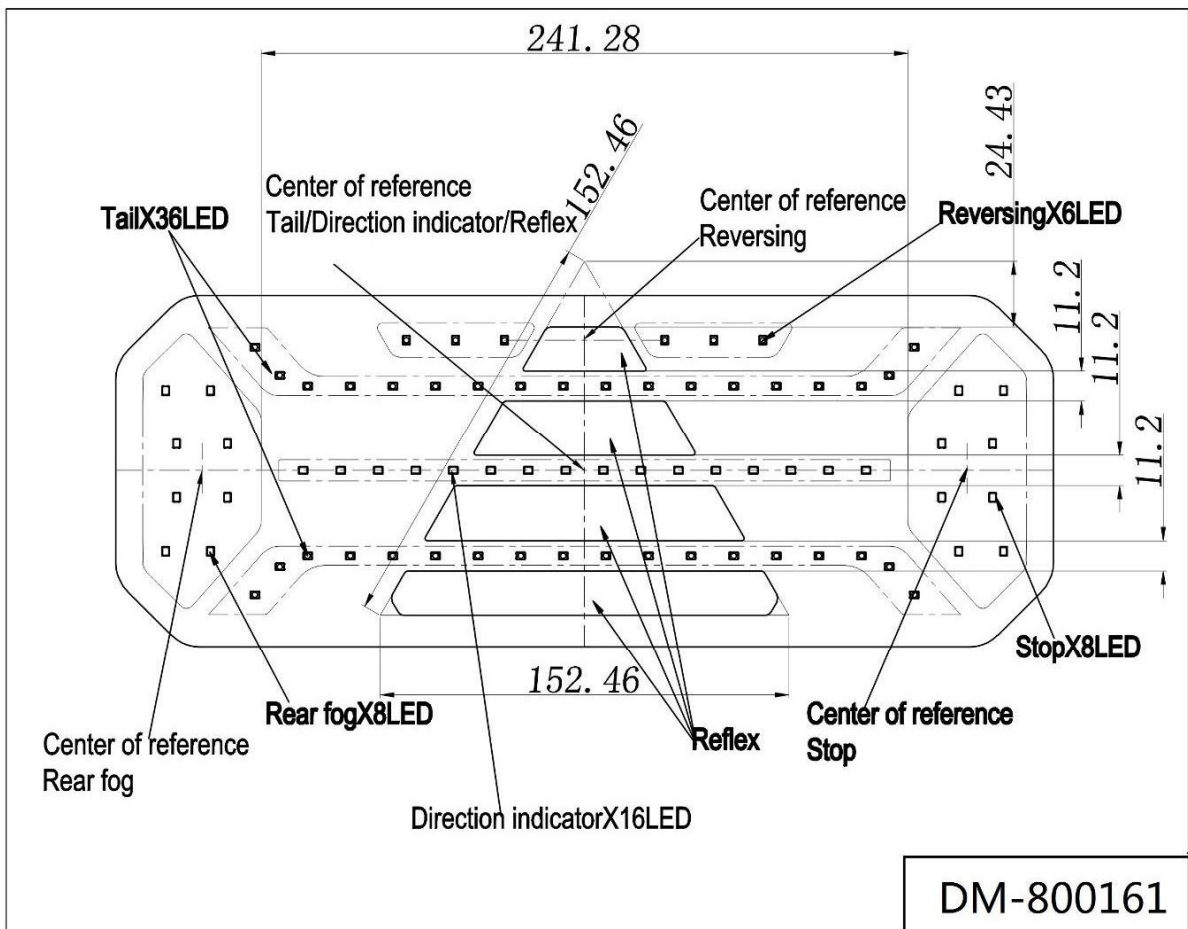
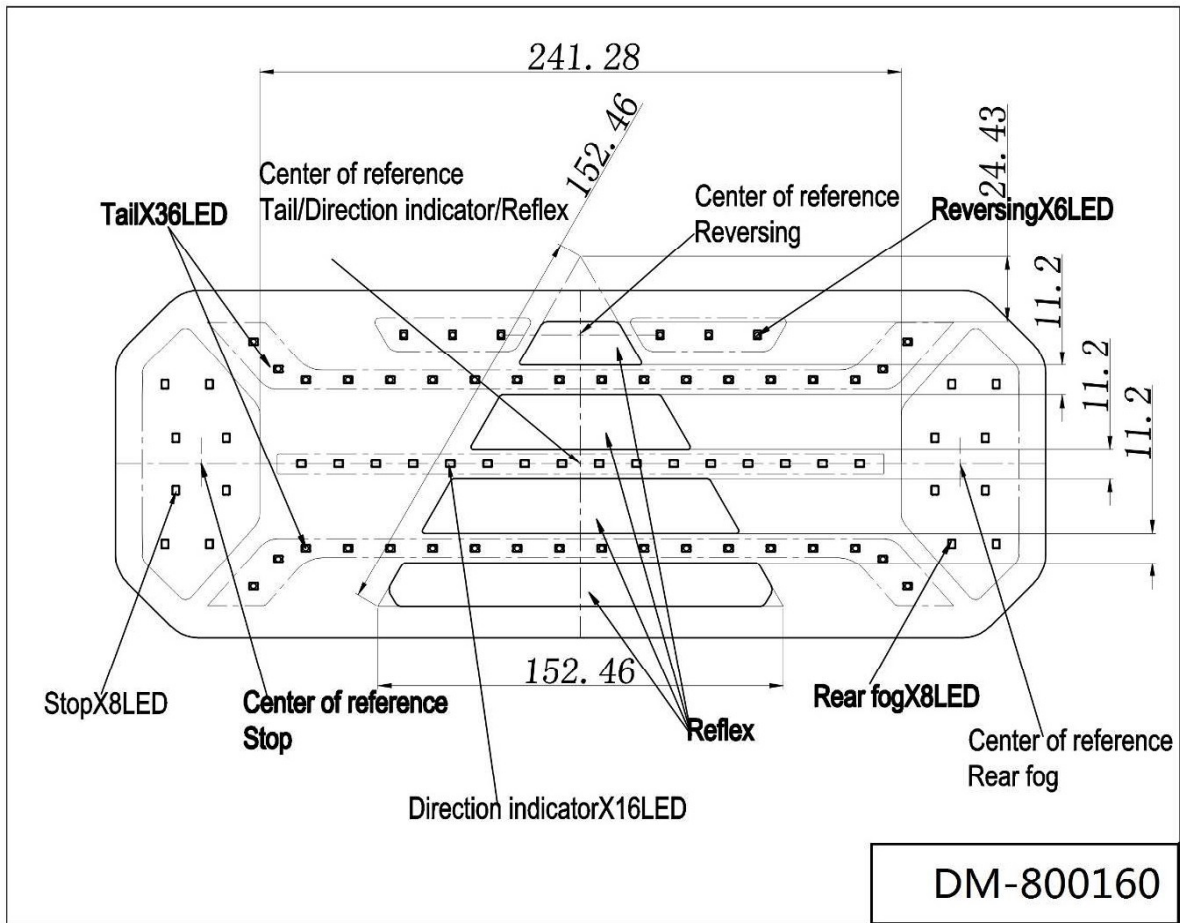
A
4:1

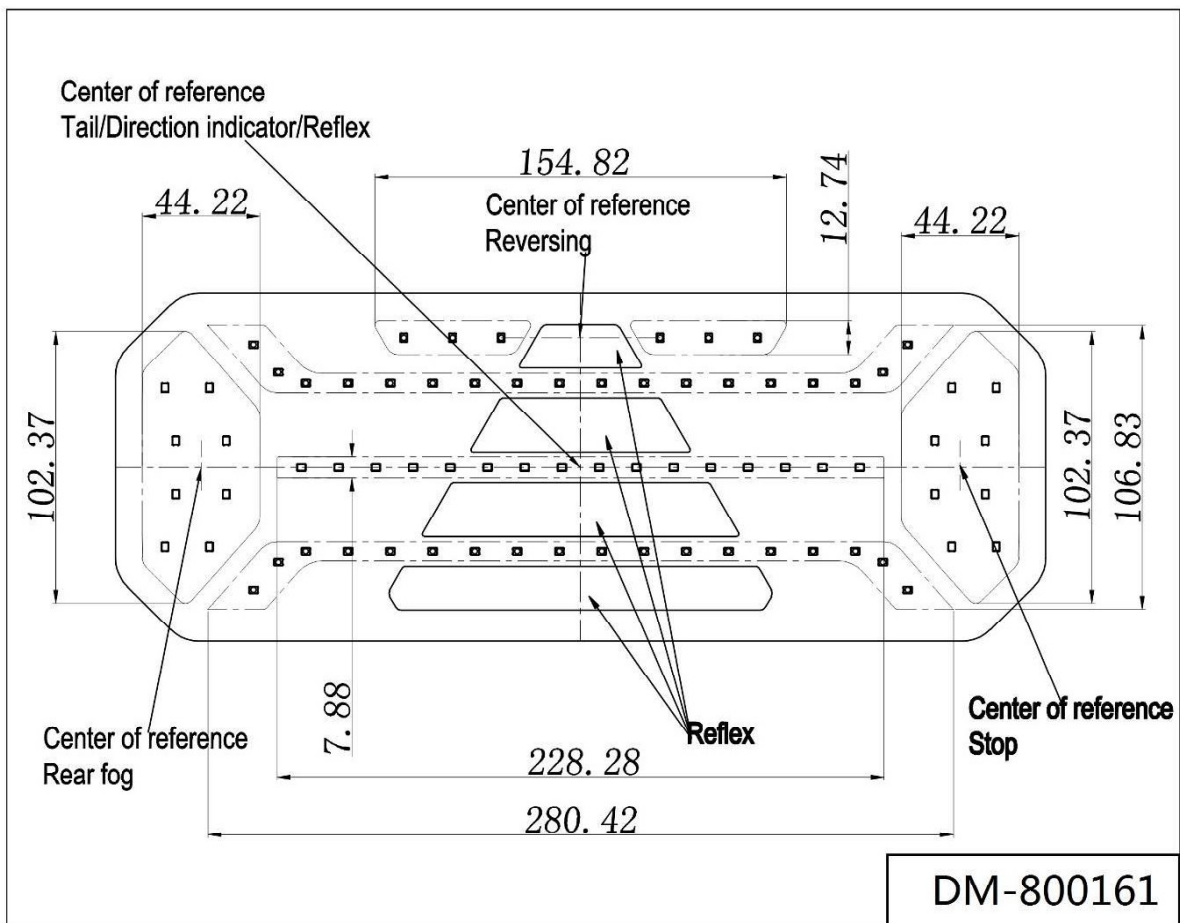
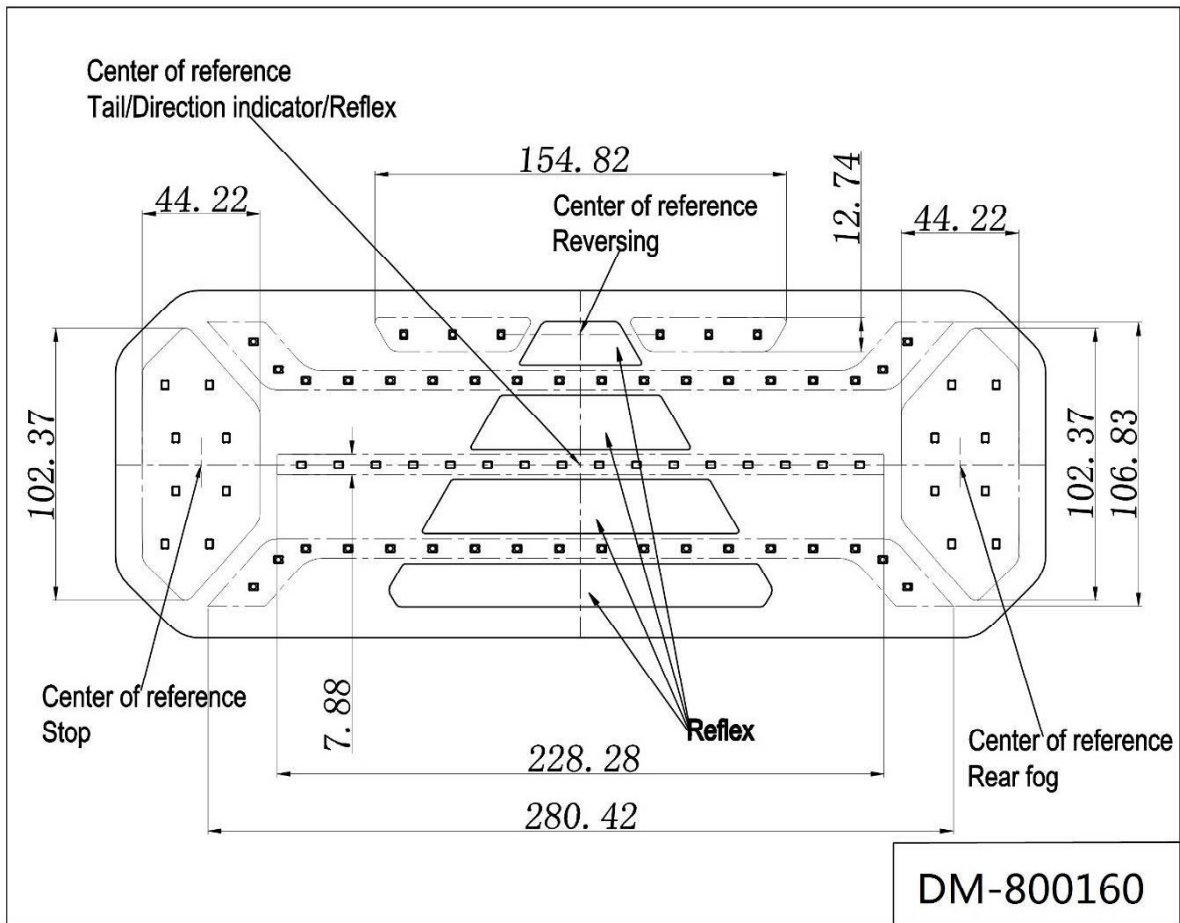
B
4:1

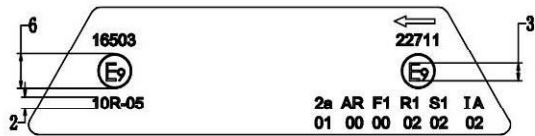


Specification:
1.Functions: Tail/Stop/Direction Indicator/ Rear fog/Reversing/Reflex;
2.Input Voltage: 12/24V

DM-800161







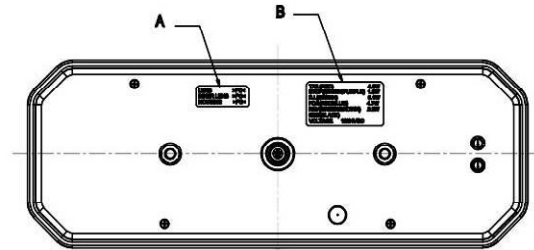
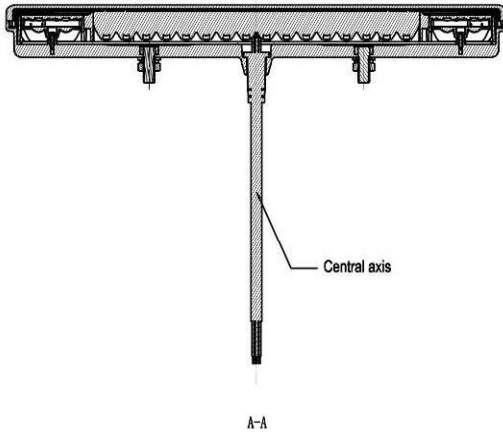
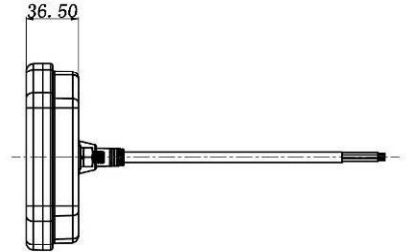
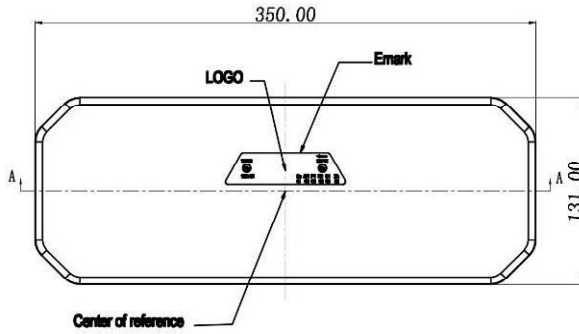
Emerk
4:1

LENS >PC<
INNER LENS >PC<
HOUSING >PC<

A
4:1

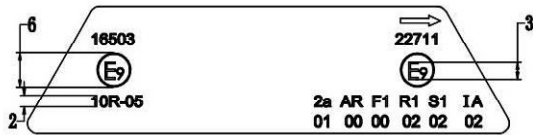
TAIL(RED)	4.6W
STOP(GREEN/PURPLE)	1.5W
D.I.(GREEN)	6.1W
FOG(RED/BLUE)	4.7W
REV(GREEN/BROWN)	2.3W
GND(BLACK)	
VOLTAGE	12/24VDC

B
4:1



Specification:
1.Functions: Tail/Stop/Direction Indicator/ Rear fog/Reversing/Reflex;
2.Input Voltage: 12/24V

RH-800160



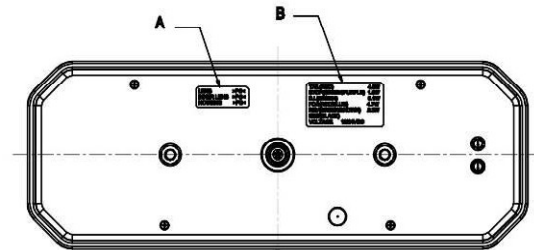
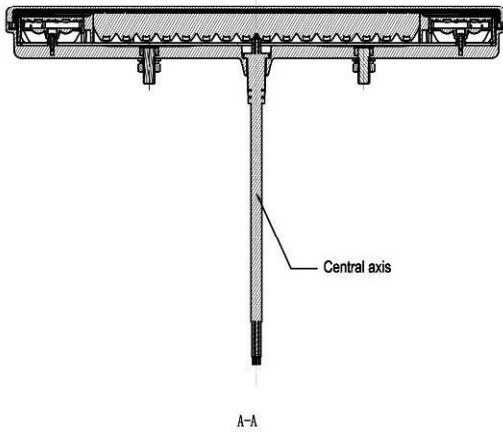
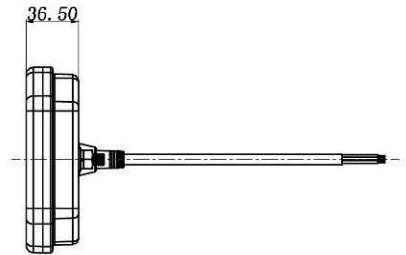
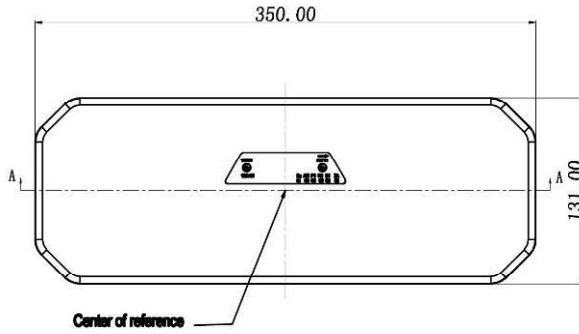
LENS >PC<
 INNER LENS >PC<
 HOUSING >PC<

TAIL (RED)	4.6W
STOP (GREEN/PURPLE)	1.5W
D.I. (GREEN)	6.1W
FOG (RED/BLUE)	4.7W
REV (GREEN/BROWN)	2.3W
GND (BLACK)	
VOLTAGE	12/24VDC

Emark
4:1

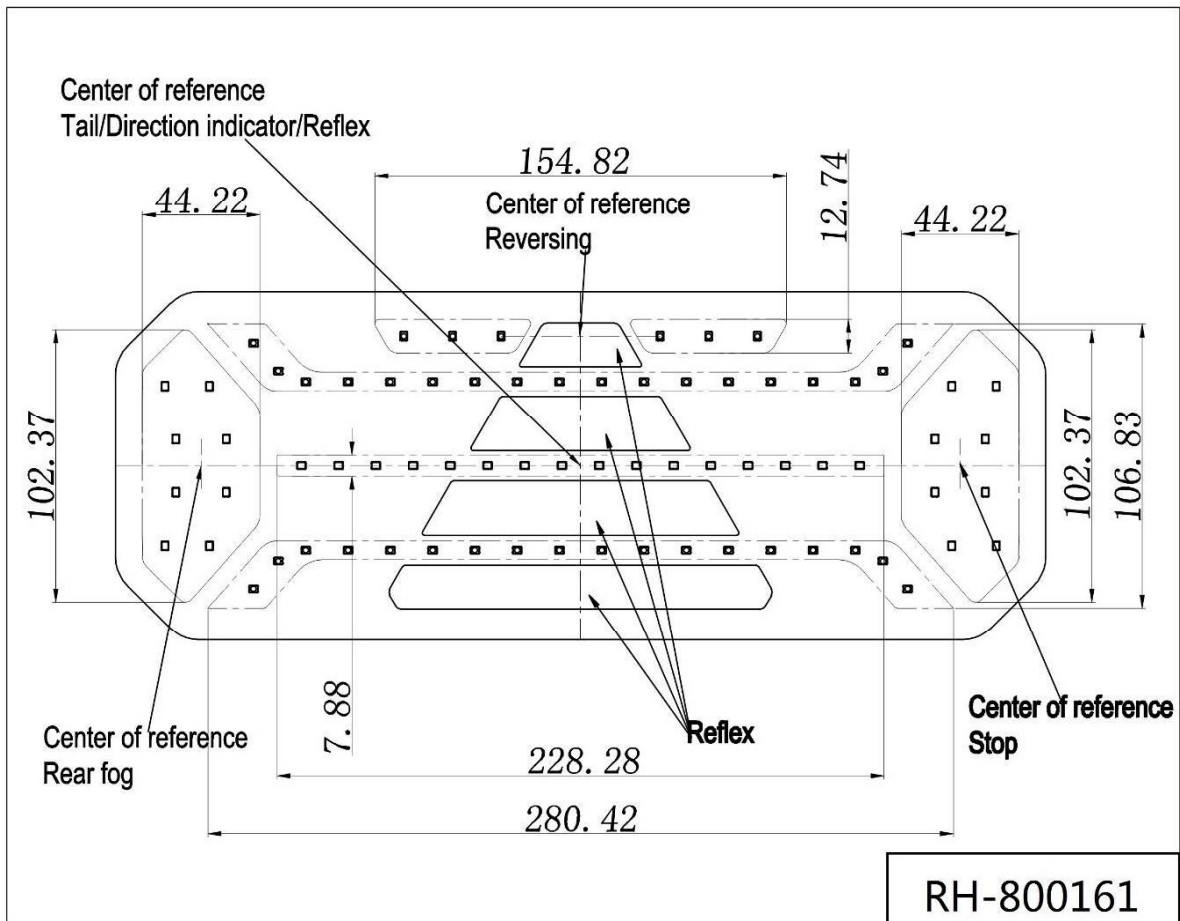
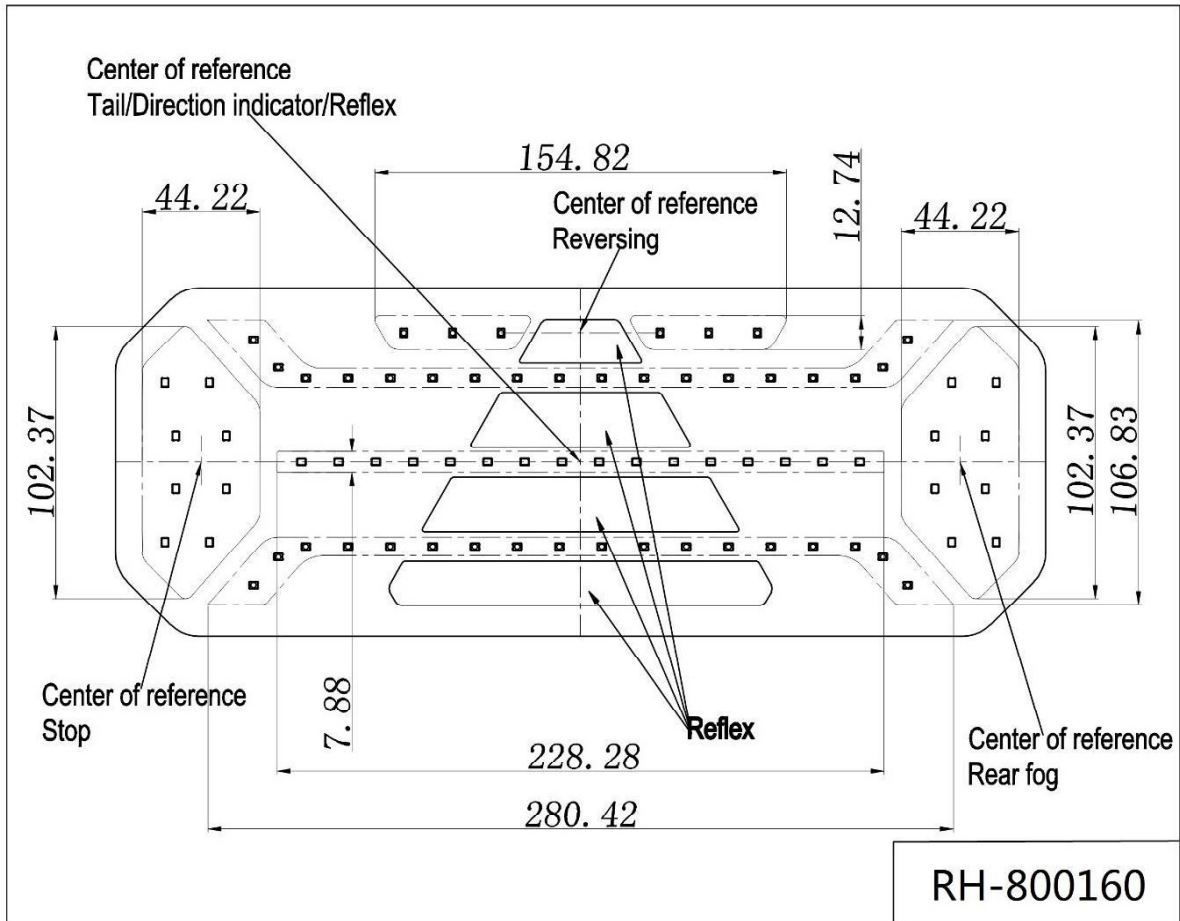
A
4:1

B
4:1

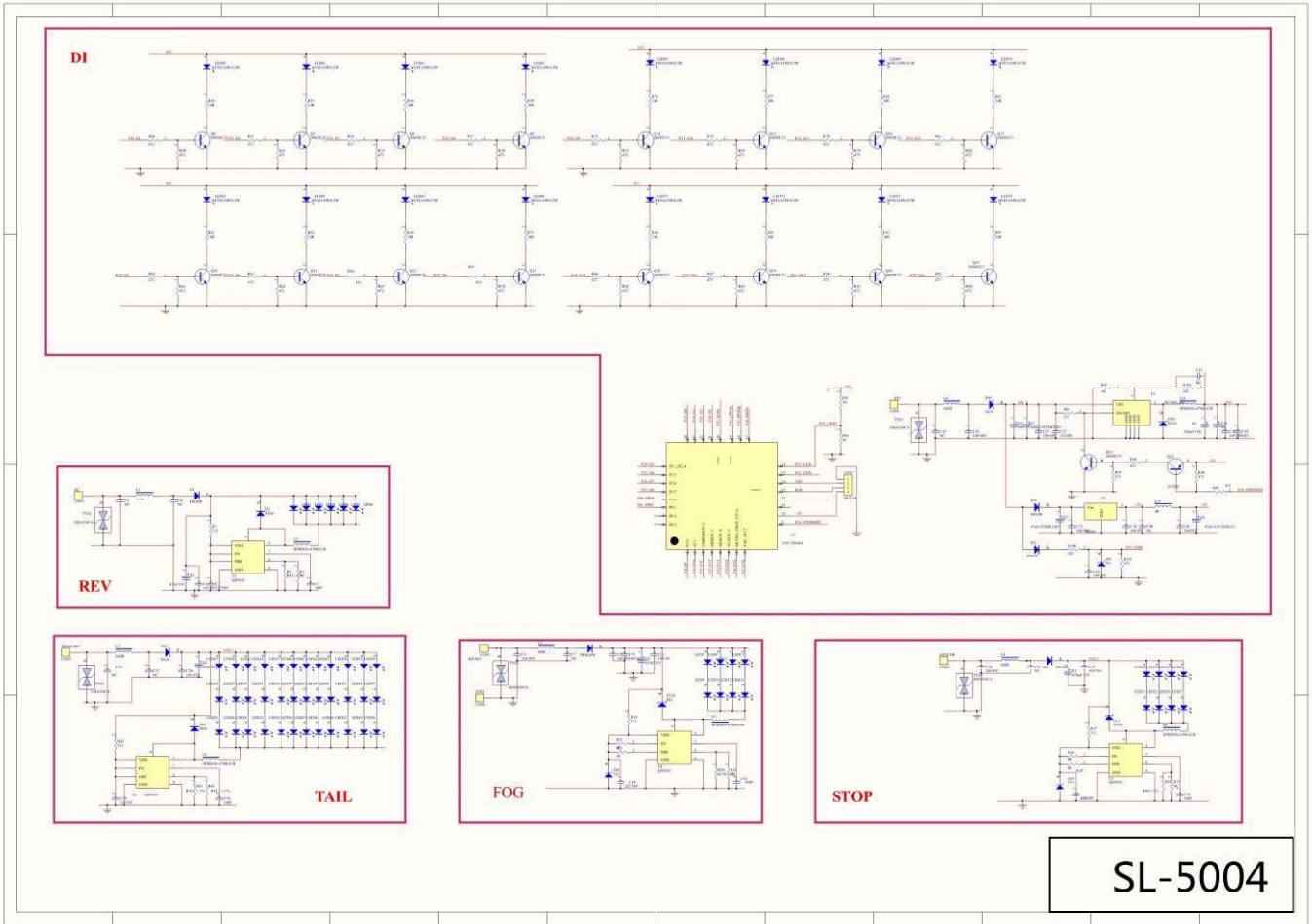


Specification:
 1.Functions: Tail/Stop/Direction Indicator/ Rear fog/Reversing/Reflex;
 2.Input Voltage: 12/24V

RH-800161



CIRCUIT DIAGRAM



12V/24V

Non-replaceable light source