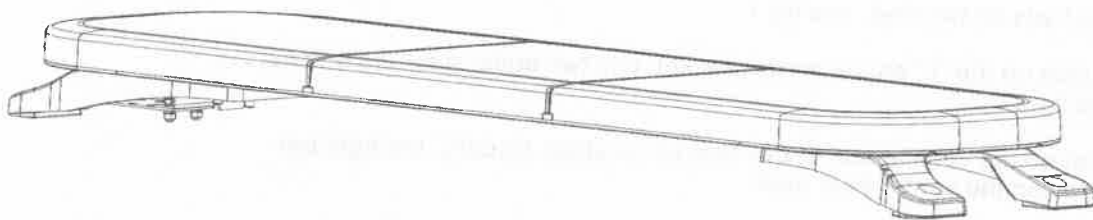


INSTRUCTION MANUAL

The light bar is designed with a modular system, easy to change LED modules and maintain. With a junction box designed that can satisfy customer's different options, can flexibly choose different controllers or simple wires anytime to operate.

Specification

- * Voltage: DC 12-24V
- * Operation temperature: -30° to +60°
- * Flash pattern: 29
- * ECE R10, ECE R65 approval
- * Length: 900mm, 1200mm, 1500mm, 1800mm, 2100mm options
- * Single or dual color available
- * Easy to maintain
- * LED modules can easy to remove and change to other function modules

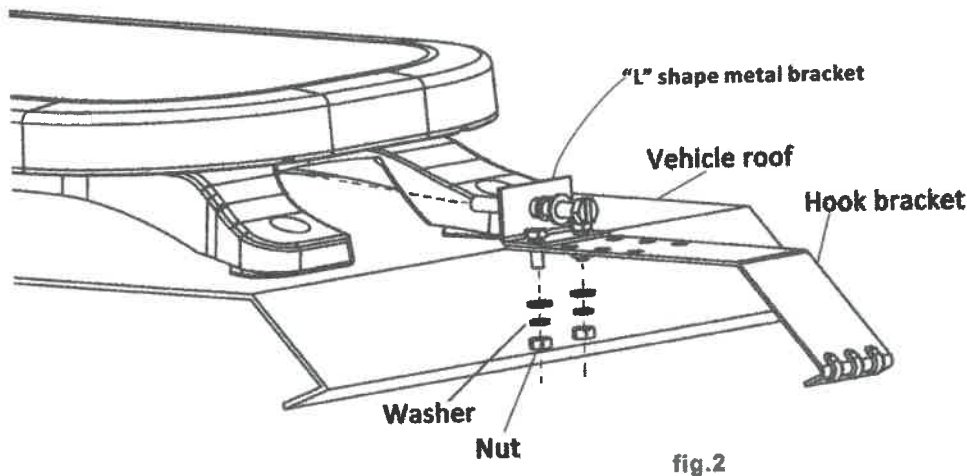
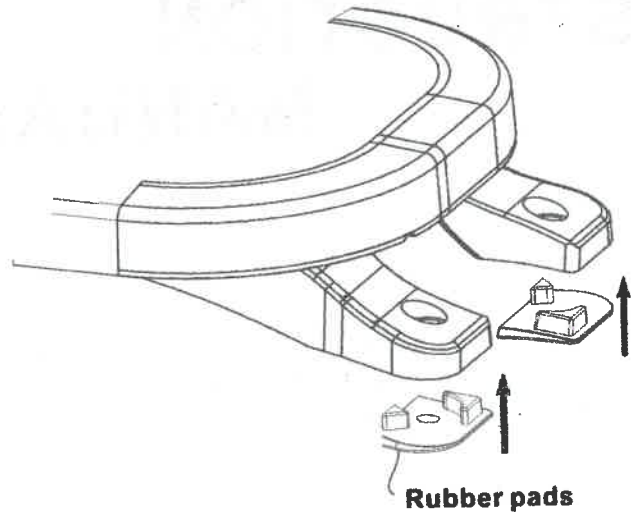


WARNING

The product contains high intensity LED devices. To prevent eye damage, DO NOT stare into the light beam at close range.

Mounting

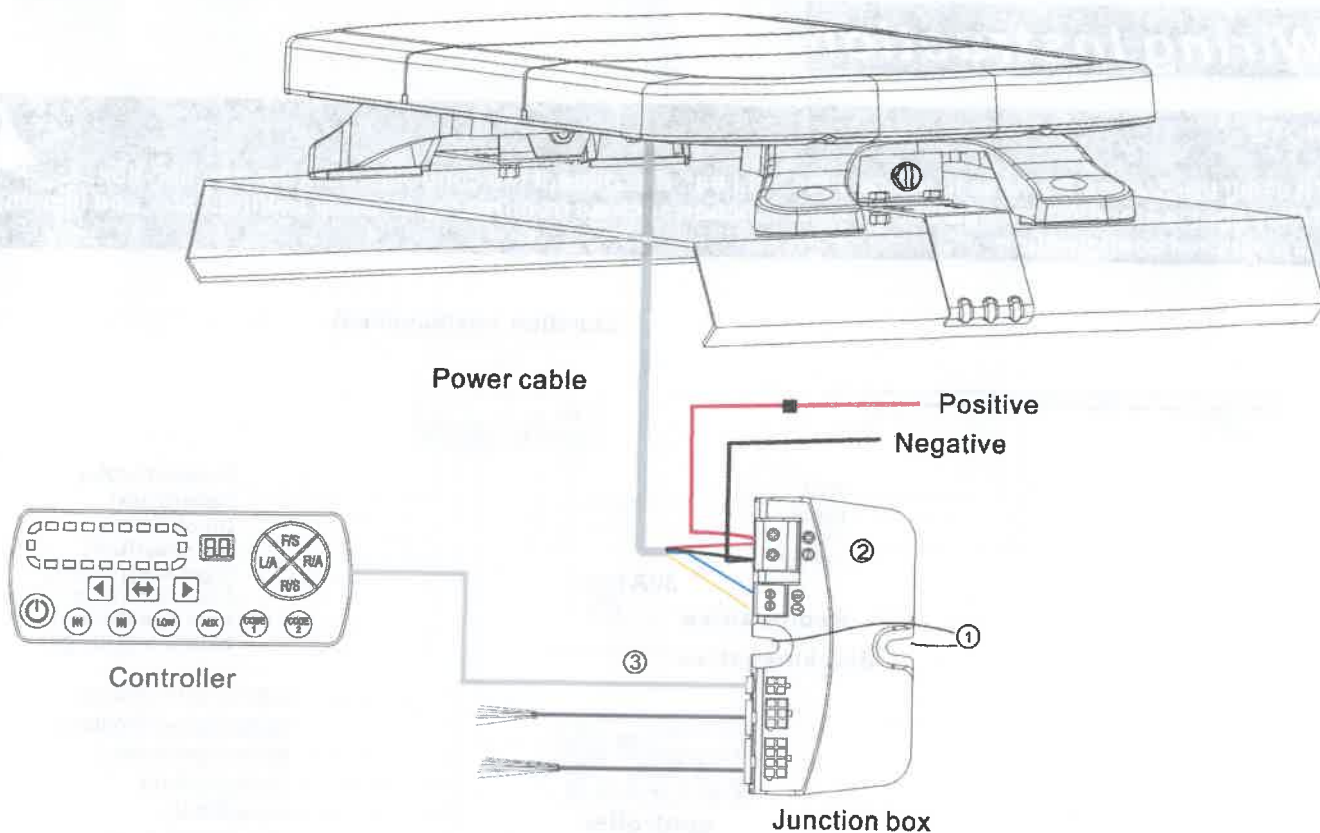
fig.1



Steps:

1. Install the rubber pads on two feet, see fig. 1
2. Put the hook bracket on the "L" shape metal bracket, use two bolts, washers and nuts to tighten them. See fig.2
3. Place the light bar on the vehicle roof at the desired location. Usually, the light bar should be centered on the center door post.
4. Determine where the hooks will attached to the vehicle.
5. Place the light bar on the vehicle roof, and align "L" shape bracket bolt holes with light bar mounting feet bolt holes.
6. Insert the bolt through "L" shape bracket bolt hole all the way to mounting feet bolt hole. See fig.2.
7. Tighten bolts.

Note: After installation, frequently inspect the light bar and mounting feet to ensure that all fasteners and brackets are tight.



Steps:

1. Use the two screws to install junction box inside vehicle.
2. Connect the RED, BLACK, YELLOW and BLUE wires from light bar to junction box, tighten them via screwdriver.
3. Choose using controller or wires.

NOTE: No matter choose controller or wires to operate, the junction box is needed!

Flash pattern

1	Cycle	11	Eight half to half	21	CCW constant flash
2	Single flash	12	One-One Single - slow	22	Center-Out
3	Double flash	13	One-One Single - flash	23	Left arrowstick
4	Triple flash	14	One-One eight flash - slow	24	Right arrowstick
5	Quad flash	15	One-One eight flash - fast	25	Middle to side arrowstick
6	Eight flash	16	In out -slow	26	Night ride
7	Single half to half	17	In out -fast	27	Left half single flash
8	Double half to half	18	CW Rotation	28	Right half single flash
9	Triple half to half	19	CCW Rotation	29	Steady on
10	Quad half to half	20	CW constant flash		

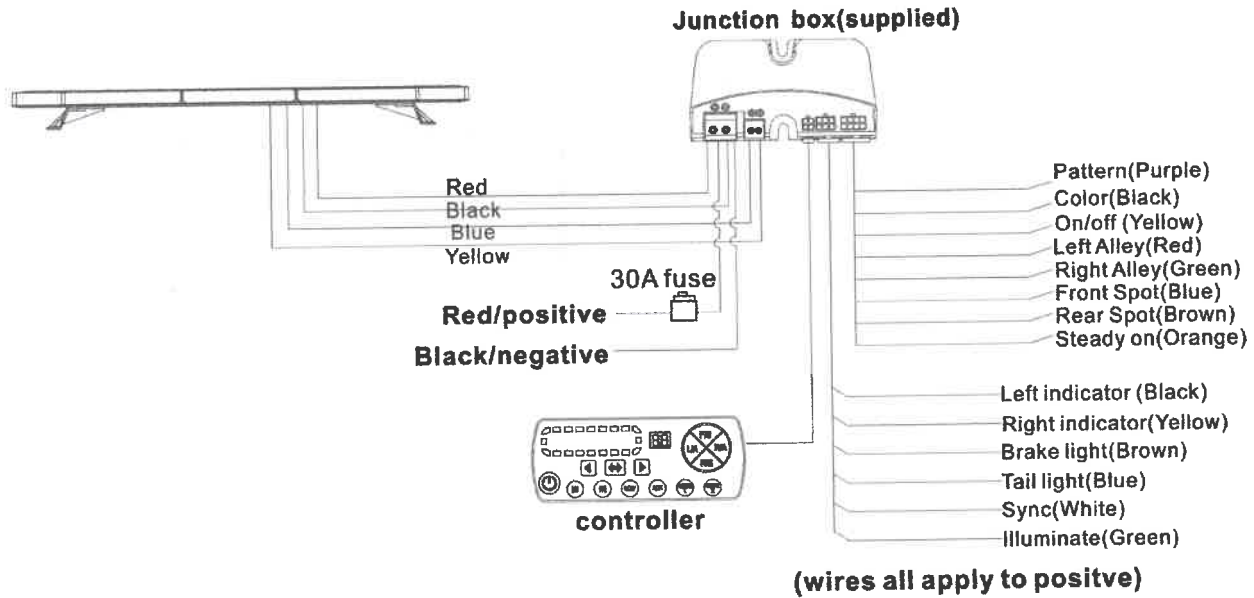
Remark: If in dual color mode, each pattern will flash color 1 then color 2

Wiring Instruction

NOTE



*If using the 8 wires harness to operate the light bar, disconnect the controller from the junction box.
 *Alley light is standard configuration, other function such as front/rear spot, Stop/Tail/Indicator and Illuminate are optional configuration.



*To use the controller:

Route control cable from the controller and connect to the junction box (if the 1 meter original wires not long enough, can use the 1.5 meters extension wire that is supplied in package).

*To use wires:

Route and connect the wires from junction box port 2 to the battery positive. Connect the yellow wire to positive to start flashing. See the wiring diagram with wire function. Some wires may be unused dependent on specific light bar configuration.

Wiring the Stop/Tail/Indicator function:

Connect the Stop/Tail and Right/Left Indicator wires from junction box port 1 to corresponding wires of the vehicle electrical system.

Wiring the Illuminate Output:

Connect the Illuminate wire from junction box port 1 to the positive.

Wiring the Sync function:

To synchronize with another second same light bar, connect both light bar's positive, negative and yellow wires to one junction box, and one of blue wire to junction box.

Controller keys function

	On/Off
	Previous pattern
	Next pattern
	Low power
	Steady on
	Single color(change another single color if with dual color)
	Dual color

	Left arrowstick
	Middle to side arrowstick
	Right arrowstick
	Left Alley light
	Right Alley light
	Front Spot light
	Rear Spot light