



THE NETHERLANDS
(N E D E R L A N D)



COMMUNICATION

Concerning⁽¹⁾:

- APPROVAL GRANTED
- ~~APPROVAL EXTENDED~~
- ~~APPROVAL REFUSED~~
- ~~APPROVAL WITHDRAWN~~
- ~~PRODUCTION DEFINITELY DISCONTINUED~~

of a type of motor vehicle front fog lamp pursuant to Regulation number 19.

Approval No.: E4-19R-0319777

Extension No.: 00

Approval mark

03 B




19777

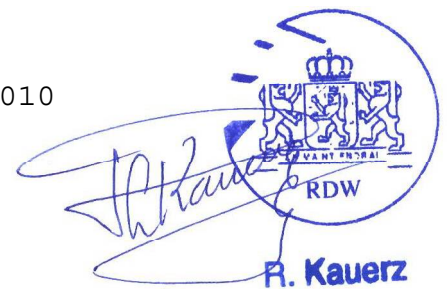
- | | | |
|-------|--|--|
| 1. | Trade name or mark of the device | : DLAA |
| 2. | Type of the device | : LA2010EM |
| 3. | Manufacturer's name for the type of device | : LA2010EM |
| 4. | Manufacturer's name and address | : DLAA INDUSTRIAL CO., LTD.
Taifeng Industrial Zone, Xiaolan Town, Zhongshan City,
Guangdong Province, 528416, P.R.China |
| 5. | If applicable, name and address of the manufacturer's representative | : --- |
| 6. | Submitted for approval on | : March 30, 2010 |
| 7. | Technical service responsible for conducting approval tests | : TÜV NORD Mobilität GmbH & Co. KG
Institut für Fahrzeugtechnik und Mobilität
Adlerstr. 7
D-45307 Essen |
| 8. | Date of report issued by that service | : April 01, 2010 |
| 9. | Number of report issued by that service | : CS019-A0-2010-00482 |
| 10. | Concise description | |
| 10.1. | Class as described by the relevant marking | : B, B/ , BPL , B/PL , F3 , F3/ , F3PL , F3/PL ⁽⁴⁾ |



Approval No.: E4-19R-0319777

Extension No.: 00

- 10.2. Number and category(ies) of filament lamp(s) : one H3
- 10.3. LED module : ~~yes~~ / no
- 10.4. Light generator : ~~yes~~ / no
- 10.5. LED module or light generator specific identification code : not applicable
- 10.6. Application of electronic light source control gear : ~~yes~~ / no
- Supply to the light source : not applicable
- Specification of light source control gear : not applicable
- Input voltage : not applicable
- In case of an electronic light source control gear not being part of lamp : not applicable
- Output signal specification : not applicable
- 10.7. Colour of light emitted : white / ~~selective yellow~~⁽¹⁾
- 10.8. Luminous flux of light source (see paragraph 5.10.) greater than 2,000 lumen : ~~yes~~ / no
- 10.9. Luminous intensity is variable : ~~yes~~ / no
- 10.10. The determination of the cut-off gradient (if measured) : ~~yes~~ / no
11. Position of approval mark : on the housing
12. Reason(s) for extension (if applicable) : not applicable
13. Approval : granted / ~~extended~~ / ~~refused~~ / ~~withdrawn~~⁽¹⁾
14. Place : Zoetermeer
15. Date : 21-APR-2010
16. Signature : 
17. The list of documents deposited with the Administrative Service which has granted approval is annexed to this communication and may be obtained upon request.



⁽¹⁾ Strike out what does not apply.

⁽²⁾ The voltage specifications shall include the tolerances or voltage range as specified by the manufacturer and verified by this approval.

First application date : March 20, 2010

1. Specification data

Type		LA2010EM
Function		Front fog lamp
Color		white
Rated	Voltage	12V
	Wattage	55W
Applicable Regulation (ECE)		R19
Location of marking	Filament Lamp category	H3
		Marked on housing
	Trade mark	DLAA
		Marked on housing

2. Construction and material

Construction	Material	Remarks
Lens	Glass	
Reflector	Aluminium	----
Housing	Aluminium	----
Electrical wiring	----	----

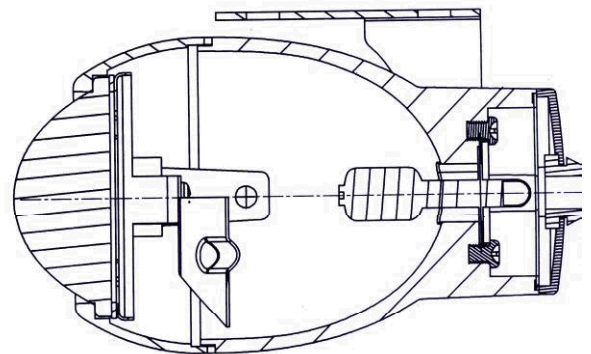
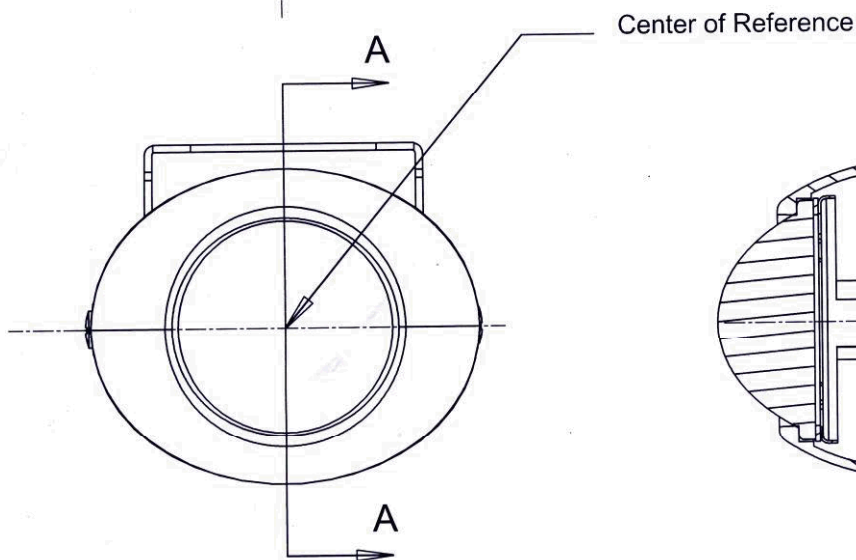
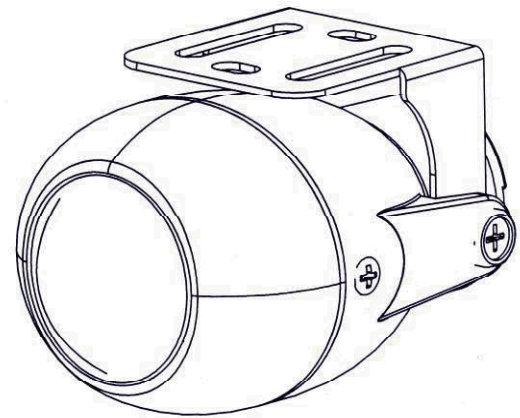
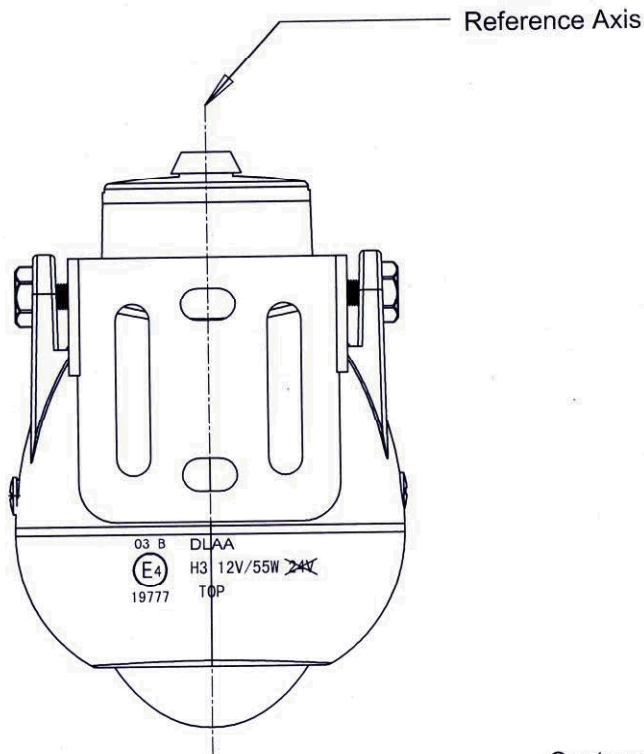
3. Name and address of manufacturer : DLAA INDUSTRIAL CO., LTD.
Taifeng Industrial Zone, Xiaolan Town,
Zhongshan City, Guangdong Province,
528416, P.R. China

4. Name and address of representative of manufacturer : not applicable

This information document consists of 2 pages

E4-19R-0319777

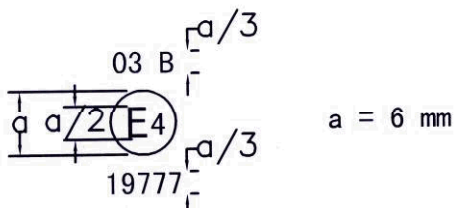




SECTION A-A

1. Marking: DLAA
H3 12V / 55W ~~24V~~

2. Approval Mark



E4-19R-0319777

