



GRAND-DUCHÉ DE LUXEMBOURG

Ministère du Développement durable  
et des Infrastructures  
Département des Transports

L-2938 Luxembourg

SOCIÉTÉ NATIONALE DE  
CERTIFICATION ET D'HOMOLOGATION  
s.à r.l.

Registre de Commerce: B 27180

L-5201 Sandweiler



Référence: E13\*65R00\*65R00\*0094\*00

Annexes: - Rapport technique  
- Fiche de renseignements du constructeur

Sandweiler, le 17 mars 2017

## COMMUNICATION



concernant 2/: - **HOMOLOGATION ACCORDEE**  
concerning 2/: APPROVAL GRANTED  
- **HOMOLOGATION ETENDUE**  
APPROVAL EXTENDED  
- **HOMOLOGATION REFUSEE**  
APPROVAL REFUSED  
- **HOMOLOGATION RETIREE**  
APPROVAL WITHDRAWN  
- **ARRET DEFINITIF DE LA PRODUCTION**  
PRODUCTION DEFINITELY DISCONTINUED

d'un type de feu spécial d'avertissement pour automobiles, application du Règlement N° 65  
of a type of special warning lamp for motor vehicles, pursuant to Regulation N° 65

Numéro d'homologation:  
Approval number:

E13\*65R00\*65R00\*0094\*00

Marque d'homologation:  
Approval mark:

refer to the manufacturer's information document

- Feu spécial d'avertissement / ~~tournant~~ / à éclat stationnaire / à éclat directionnel / rampe complète / ~~demi-rampe~~ / de couleur bleue / de couleur jaune-auto / de couleur rouge 2/:**  
Special warning lamp / ~~rotating~~ / stationary flashing lamp / directional flashing lamp / ~~complete bar~~ / half bar / blue / amber / red 2/:  
Type: E-R65-1224

directional flashing lamp / amber
- Le feu spécial d'avertissement a un / deux niveau(x) d'intensité 2/:**  
Le feu spécial d'avertissement est composé de ... unité distinctes.  
Special warning lamp has one / ~~two~~ level(s) of intensity 2/:  
Special warning lamp consist of ... separate units.

one level of intensity  
consists of 1 separate unit
- Pour les feux spéciaux d'avertissement ayant deux niveaux d'intensité, système employé pour obtenir une intensité renforcée de jour:**  
For special warning lamps having two levels of intensity, indicate the system used to obtain increased intensity at day-time:

not applicable / ~~current limitation during night time run~~

- 4. Source lumineuse utilisée,**  
Used light source,
- Catégorie de lampe à incandescence .. ou** No  
Category of filament lamp or
- Source lumineuse à décharge ---** No  
**oui / non 2/ -- ou**  
Gas discharge light source yes / no 2/ or
- Source lumineuse à DEL oui / non 2/ -- ou** Yes  
LED yes / no 2/ or
- Module d'éclairage : oui / non 2/** No  
Light source module: yes / no 2/
- Code d'identification spécifique du module d'éclairage:** not applicable  
Light source module specific identification code:
- 5. Tension nominale de feu spécial d'avertissement;** 12V  
Rated voltage of special warning lamp:
- 6. Marque ou désignation commerciale:** ETHER  
Trade name or mark:
- 7. Nom et adresse du fabricant:** ETHER PHOTOELCTRIC LIMITED  
Manufacturer's name and address:  
6F, Huazi Industrial Park, Shilou Town, panyu District,  
Guangzhou City, Guangdong province, P.R. China
- 8. Le cas échéant, nom et adresse du représentant du fabricant:** not applicable  
If applicable, name and address of the manufacturer's representative:
- 9. Présenté à l'homologation le:** 15.01.2017  
Submitted for approval on:
- 10. Autorité déléguée:** *Société Nationale de Certification et d'Homologation*  
*L-5201 Sandweiler*  
**Service technique chargé des essais d'homologation:** Luxcontrol SA  
Technical service responsible for approval tests:  
B.P. 349  
L-4004 Esch-sur-Alzette
- 11. Date du procès-verbal délivré par ce service:** 14.03.2017  
Date of test report issued by that service:
- 12. Numéro du procès-verbal délivré par ce service:** LCA 51 1170 002 17  
Number of test report issued by that service:

13. **L'homologation est 2/:** accordée / ~~refusée~~ / ~~étendue~~ / ~~retirée~~  
Approval 2/: granted / ~~refused~~ / ~~extended~~ / ~~withdrawn~~
14. **Motif(s) de l'extension (le cas échéant):** not applicable  
Reason(s) of extension (if applicable):
15. **Lieu:** Sandweiler  
Place:
16. **Date:** 17 mars 2017  
Date:
17. **Signature:**  
Signature:

Pour le Département des Transports



**Marco FELTES**  
Inspecteur Principal 1<sup>er</sup> en rang

Pour la SNCH



**Claude LIESCH**  
Directeur



18. **On trouvera en annexe à la présente communication, la liste des pièces constituant le dossier d'homologation déposé auprès du Service administratif qui à accordé l'homologation: ces pièces peuvent être obtenus sur demande:**  
The list of documents filed with the administration service which has granted approval and available on request is annexed to this communication:

*voir "INDEX DU DOSSIER D'HOMOLOGATION" ci-joint / see "INDEX TO TYPE-APPROVAL REPORT"*

2/ Biffer les mentions qui ne conviennent pas/ Strike out what does not apply



GRAND-DUCHÉ DE LUXEMBOURG

Ministère du Développement durable  
et des Infrastructures

Département des Transports

L-2938 Luxembourg

SOCIÉTÉ NATIONALE DE  
CERTIFICATION ET D'HOMOLOGATION

s.à r.l.

Registre de Commerce: B 27180

L-5201 Sandweiler



**Référence:** E13\*65R00\*65R00\*0094\*00

**Annexes:** - Rapport technique  
- Fiche de renseignements du constructeur

Sandweiler, le 17 mars 2017

## Index du dossier d'homologation

Index to type-approval report

	<b>Numéro d'homologation:</b> Approval number:	E13*65R00*65R00*0094*00
	<b>Révision:</b> Revision:	00
	<b>Marque de fabrique ou de commerce:</b> Trade name or mark:	<i>refer to the manufacturer's information document</i>
	<b>Type:</b> Type:	<i>E-R65-1224</i>
<b>1.</b>	<b>Procès-verbal d'essai:</b> Test report:	N° LCA 51 1170 002 17
	- Technical report:	Pages 1 to 6
	- Index to information package:	Annex A - Page 1
	- Test results:	Annex B - Pages 1 to 3
<b>2.</b>	<b>Dossier du constructeur:</b> Report of the manufacturer:	N° 16-0795
	- Manufacturer's information document & drawings:	Pages 1 to 4
<b>3.</b>	<b>Autres documents annexés:</b> Other documents annexed:	not applicable
<b>4.</b>	<b>Date de délivrance de l'homologation initiale:</b> Date of issue of initial type approval:	17.03.2017
<b>5.</b>	<b>Date de la dernière délivrance de pages révisées:</b> Date of last issue of revised pages:	not applicable
<b>6.</b>	<b>Date de la dernière délivrance d'une homologation révisée:</b> Date of last extension:	not applicable

## TECHNICAL REPORT

**No.: LCA 51 1170 002 17**

Inspection concerning the

### **Special warning lights for motor vehicles**

performed according to

### **ECE-Regulation No. 65**

Type: **E-R65-1224**

Manufacturer: **ETHER PHOTOELECTRIC LIMITED**  
**6F, Huazi Industrial Park ,Shilou Town,**  
**Panyu District , Guangzhou City,**  
**Guangdong province, P.R. China**

#### **Index:**

1. General	2
2. Inspections and their results	3
3. Evaluation of test results	5
4. Statement of compliance	6
Annex (beginning with an index)	

A reproduction of this report and its annexes, except in full, is prohibited without the written permission of Luxcontrol s.a.

...



1. **General**

1.1. **Test Provisions**

The inspection was carried out according to the requirements of the ECE-Regulation No. 65, including Supplement 9 to the 00 series of amendments which entered into force on October 9, 2014.

1.2. **Information concerning the device and the requested approval**

The statements below apply to the previous ECE type-approval as referred to on page 1.

1.2.1. [ ] Numbering according to the communication concerning the approval following ECE-R65.

[1.] **Special warning lamp** /rotating/ stationary flashing lamp/ **directional flashing lamp** /complete bar/ blue/ **amber** /red

**Type: E-R65-1224**

[2.] Special warning lamp has **one** /~~two~~ level(s) of intensity:

Special warning lamp consists of **1** separate unit.

[3.] For special warning lamps having two levels of intensity, indicate the system used to obtain increased intensity at day-time:

**Not applicable**

[4.] Used light-source,

- category of filament lamp: **no**

- gas discharge light source **yes** / **no** or

- LED **yes** / ~~no~~ or

Light source module: **yes** / **no**

Light source module specific identification code: **not applicable**

[5.] Rated voltage of special warning lamp:

**12V**

[6.] Trade name or mark: **ETHER**

...



[7.] Manufacturer's name and address:

**ETHER PHOTOELECTRIC LIMITED  
6F,Huazi Industrial Park ,Shilou Town, Panyu District , Guangzhou  
City, Guangdong province, P.R. China**

[8.] If applicable, name and address of manufacturer's authorized representative:

**Not applicable**

[9.] Submitted for approval on:

**January 15, 2017**

[14.] Reason(s) for extension:

**Not applicable**

## **2. Inspections and their results**

### **2.1. Version of the tested vehicle / technical unit / component**

Following samples have been used for testing:

- 2 samples with amber light and 12V voltage

### **2.2. Inspection items**

	Location of test:	Date of receipt of test item:	Date of test:	Inspector:
Main report	ISOQA, Taiwan, ROC	January 15 ,2017	January 15 - March 8 , 2017	L. Lee A. Tang T. Chen

#### **2.2.1. Markings:**

The trademark is marked clearly legible and indelible on the device.

The rated voltage and the category of the light source are clearly and indelible marked on the lamp.

Space for the approval mark and additional symbols is provided on the device, which is permanently connected to the base of the device.

...



2.2.2. General specifications

Requirements with voltage higher than 50 V: **not applicable.**

After mounting of the device, no maladjustment is possible.

Requirements for frequency on-time and off-time:

See Annex B page 2.

2.2.3. Photometric specifications

The light distribution angles and levels of intensity have been measured in accordance with Annex 5 of the Regulation, after 1min and after 30min.

See Annex B page 1.

2.2.4. Colour

The requirements for colour are fulfilled. See Annex B page 3.

**2.3. Explanatory note**

2.3.1. General

Inspection results are only applicable to the ~~vehicle / technical unit~~ / components which have been tested.

**2.4. Test facilities**

Calibration of measuring and test equipment used to carry out the inspections is in accordance with the ~~EEC Directive and/or~~ ECE-Regulation stated in 1.1. of this report and with ISO 17025.





**3. Evaluation of test results**

**3.1. Variants and equipment covered**

The tests carried out cover the following variations:

- Not applicable

**3.2. Remarks**

**3.2.1. Main report:**

Not applicable.



4. **Statement of compliance**

The inspections and measurements carried out have shown the compliance of the device described in this report and the attached Annex with the requirements of the ECE-Regulation No. 65, including supplement 9 to the 00 series of amendments which entered into force on October 9, 2014.

Shanghai, March 14, 2017

Luxcontrol s.a.  
Service Homologation-automobile

Leonie Lee  
Ingénieur-Inspecteur

Allen Tang  
Ingénieur-Inspecteur

**Annex**





## Photometric specifications

Record No.	16-0795	Approval No.	
Requirement	ECE R65 Clause 6 Annex 5	Function	Special warning lamp
Subject	E-R65-1224	Date	15 February 2017

BY NIGHT

Test Point	minimum (cd)	Sample. 1		Sample. 2		Result		max
		1 min	30 mins	1 min	30 mins			
HV (1 min)	100	485.04	-	492.42	-	-	-	600
HV (30 mins)	100	-	475.19	-	482.58	T	T	600
8U-10L	50	271.42	265.91	334.14	327.46	T	T	600
8U-10R	50	309.12	302.84	321.58	315.15	T	T	600
6U-20R	50	261.37	256.06	255.25	250.15	T	T	600
6U-V	75	282.48	276.74	316.56	310.23	T	T	600
6U-20L	50	223.17	218.64	246.21	241.29	T	T	600
4U-30L	20	146.77	143.79	181.89	178.26	T	T	300
4U-10L	100	419.69	411.17	459.76	450.57	T	T	600
4U-10R	100	485.04	475.19	489.90	480.11	T	T	600
4U-30R	20	220.15	215.68	211.04	206.82	T	T	300
H-30R	50	291.53	285.61	253.24	248.18	T	T	300
H-20R	75	399.59	391.48	379.36	371.78	T	T	600
H-20L	75	376.98	369.32	381.87	374.24	T	T	600
H-30L	50	195.02	191.06	222.09	217.65	T	T	300
4D-30L	20	185.98	182.20	163.80	160.53	T	T	300
4D-10L	100	454.88	445.64	457.25	448.11	T	T	600
4D-10R	100	510.17	499.81	477.34	467.80	T	T	600
4D-30R	20	237.24	232.42	192.95	189.09	T	T	300
6D-20R	50	267.40	261.97	253.24	248.18	T	T	600
6D-V	75	331.74	325.00	301.47	295.45	T	T	600
6D-20L	50	278.45	272.80	251.23	246.21	T	T	600
8D-10L	50	341.79	334.85	311.53	305.30	T	T	600
8D-10R	50	351.85	344.70	309.02	302.84	T	T	600



## Requirements for frequency on-time and off-time

Record No.	16-0795	Approval No.	0094
Requirement	ECE R65 Clause 5 Annex 5	Function	Special warning lamp
Subject	E-R65-1224	Date	15 February 2017

Rated voltage: 12V

Colour: <u>Amber</u>				
Rotating system or flash light sources			category : <u>XAI</u>	
			Vaule	Result
Frequency f (Hz)	max	4	2.513	T
	min	2		
ON time $t_H$ (s)	max	0.4/f	0.130	T
OFF time $t_D$ (s)	min	0.1	0.268	T

Temperature	Frequency at 90% of rated voltage	Frequency at 100% of rated voltage	Frequency at 115% of rated voltage
+23.5°C	0.2513	2.513	2.513
"On" time $t_H$ (s)	0.130	0.130	0.130
"OFF" time $t_D$ (s)	0.268	0.268	0.268
-20°C	2.513	-	-
+50°C	2.513	-	-



## Colour

Record No.	16-0795	Approval No.	0094
Requirement	ECE R65 Clause 7 Annex 3	Function	Special warning lamp
Subject	E-R65-1224	Date	15 February 2017

Requirement	Measurement			result
	test point	Sample. 1 (LH)	Sample. 2 (RH)	
Amber	x=	0.5280	0.5930	Pass
12V system				
Trichromatic Co-ordinates	y=	0.3930	0.3920	Pass
Remark				

## Rain Test



E-R65-1224 During the Rain Test



E-R65-1224 after rain test

No Water Accumulated After The Rain Test

**ETHER PHOTOELECTRIC LIMITED**

6F,Huazi Industrial Park ,Shilou Town, panyu District , Guangzhou City, Guangdong province, P.R. China

TEL: 86-020-85173655

FAX: 86-020-85173200

MODEL INFORMATION DOCUMENT NO. 16-0795

ECE

**APPLICATION DOCUMENTS**

Device Name: E-R65-1224

Initial Application

Date: 23 November 2016

Manufacturer: ETHER PHOTOELECTRIC LIMITED

Address: 6F,Huazi Industrial Park ,Shilou Town, panyu District , Guangzhou City, Guangdong province, P.R. China

## I. SPECIFICATION DATE

## 1. FUNCTION, APPLICABLE REGULATION, LAMP &amp; COLOUR:

TRADE MARK	ETHER		
FUNCTION	ECE APPLICABLE REGULATION	TYPE OF FILAMENT BULB	COLOUR OF EMIT
- Special warning lamp	R65.00 Category XA1	12 LEDs	Amber

2. Drawing No.: E-R65-1224

3. MAKE: E-R65-1224

**ETHER PHOTOELECTRIC LIMITED**6F,Huazi Industrial Park ,Shilou Town, panyu District , Guangzhou City, Guangdong province, P.R.  
China

TEL: 86-020-85173655

FAX: 86-020-85173200

## MODEL INFORMATION DOCUMENT NO. 16-0795

## II. TECHNICAL DATA

## 1. CONSTRUCTION AND MATERIAL:

CONSTRUCTION	MATERIAL	REMARKS
Lens	PLASTIC	
Housing	Metallic	

## 2. LOCATION OF MARKING

MARKING		LOCATION
Trade mark	ETHER	On Lens
Lamp designation mark		
- Special warning lamp	XA1, 12 V, 4.3W	On Lens

## NOTE:

1. Approval marking shall be shown in the attached drawing.
2. Only for limited mounting height of equal to or less than 750mm above the ground. N/A
3. A signal for activation of the tell-tale shall be produced if any one light source has failed. N/A



ETHER PHOTOELECTRIC LIMITED

E-R65-1224



Front View



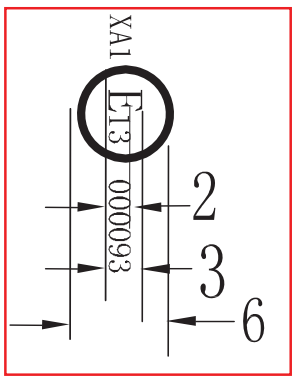
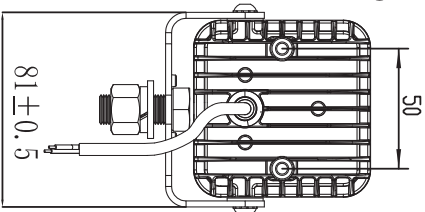
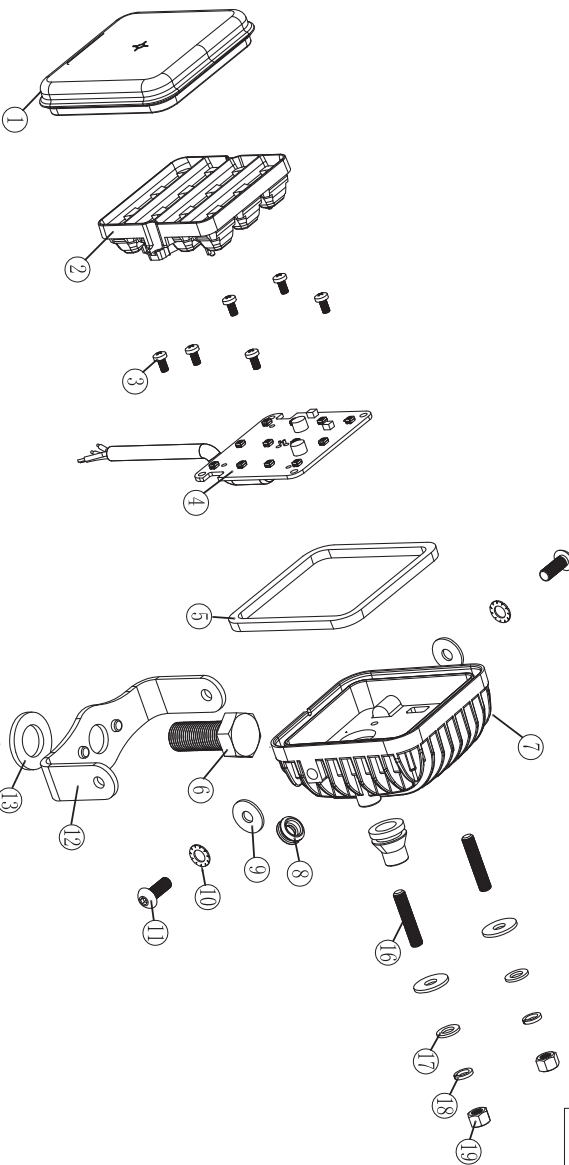
Top View



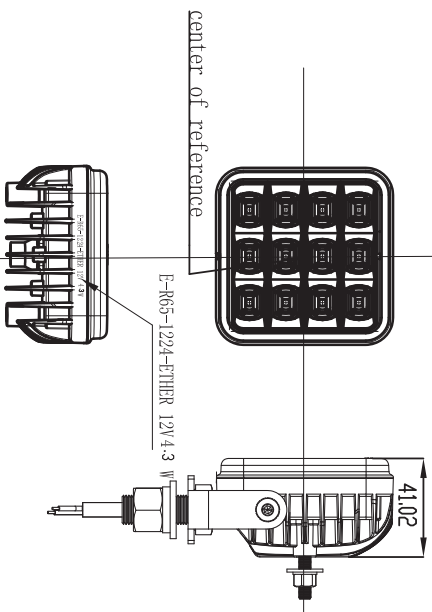
Side View

料号

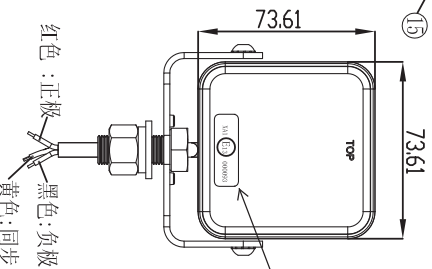
变更记录	变更日期	变更人
版本	变更内容	
A1	正式发行	



Marking



AXIS OF REFERENCE  
HORIZONTAL  
PLANE  
OF VEHICLE



Marking

序号	产品零件名称	材质	用量	备注
19	螺母	M5, 不锈钢	1	
18	弹簧垫片	M5, 不锈钢	1	
17	金属平垫片	M5, 不锈钢	1	
16	内六角平头紧定螺栓	M5*25, 不锈钢	1	
15	螺母	M12, 不锈钢	1	
14	弹簧垫片	M12, 不锈钢	1	
13	金属平垫片	M12, 不锈钢	1	
12	74警示灯旋转支架	SPCC, 喷粉黑色	1	
11	大扁头螺栓	M5*14, 不锈钢	1	
10	外锯齿垫片	M5, 不锈钢	1	
9	塑胶垫片	黑色, 内径Φ5	1	
8	74警示灯堵塞	硅胶, 黑色	1	
7	74警示灯灯体	ADC12, 喷粉黑色	1	
6	74警示灯螺栓	M12*30	1	
5	面罩封胶	7091, 黑色	1	
4	74警示灯PCBA	详见电气图纸	1	
3	机械螺钉	M3*8, 镀白锌	1	
2	74警示灯反射镜	PC, 高温覆铝	1	
1	74警示灯二代面罩(通用)	PC, 无色透明	1	

材质清单

AXIS OF REFERENCE  
LONGITUDINAL PLANE OF VEHICLE

批产	试产	制样	州大泰光电科技有限公司
视角	单位	mm	
设计	标准化		
校对	审核		
工艺	批准		

E-R65-1224