



**THE NETHERLANDS  
(N E D E R L A N D)**



**COMMUNICATION**

Concerning<sup>(1)</sup>:

- APPROVAL GRANTED
- ~~APPROVAL EXTENDED~~
- ~~APPROVAL REFUSED~~
- ~~APPROVAL WITHDRAWN~~
- ~~PRODUCTION DEFINITELY DISCONTINUED~~

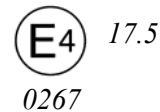
of a type of headlamp pursuant to Regulation number 112.

**Approval No.: E4-112R-000267**

**Extension No.: 00**

*Approval mark*

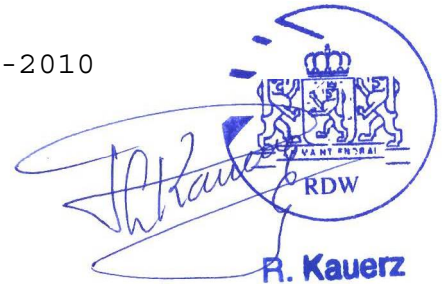
00 HR



- |    |  |  |
|----|--|--|
| 1. | Trade name or mark of the device                                     | : DLAA   |
| 2. | Manufacturer's name for the type of device                           | : LA268EM  |
| 3. | Manufacturer's name and address                                      | : DLAA INDUSTRIAL CO., LTD.<br>Taifeng Industrial Zone, Xiaolan Town, Zhongshan City,<br>Guangdong Province, 528416, P.R.China |
| 4. | If applicable, name and address of the manufacturer's representative | : ---  |
| 5. | Submitted for approval on  | : March 22, 2010   |
| 6. | Technical service responsible for conducting approval tests          | : TÜV NORD Mobilität GmbH & Co. KG<br>Institut für Fahrzeugtechnik und Mobilität<br>Adlerstr. 7<br>D-45307 Essen               |
| 7. | Date of report issued by that service                                | : March 23, 2010   |
| 8. | Number of report issued by that service                              | : CS112-A0-2010-00472  |



9. Brief description  
 Category as described by the relevant marking<sup>(1)</sup> : HR  
 Number and category(ies) of filament lamp(s) : one H3
10. Position of approval mark : on the lens
11. Reason(s) for extension (if applicable) : not applicable
12. Approval : ~~granted / extended / refused / withdrawn~~<sup>(1)</sup>
13. Place : Zoetermeer
14. Date : 21-APR-2010
15. Signature :



16. The list of documents deposited with the Administrative Service which has granted approval is annexed to this communication and may be obtained upon request.

<sup>(1)</sup> Strike out what does not apply.

<sup>(1)</sup> Indicate the appropriate marking selected from the list below:

- C,    C,    C,    R,    R PL,    CR,    CR,    CR,    C/R,    C/R,    C/R,    C/,    C/,    C/,
- ↔    →    →    ↔    →    ↔    →    ↔    →    →    ↔    →    ↔
- C PL,    C PL,    C PL,    CR PL,    CR PL,    CR PL,    C/R PL,    C/R PL,    C/R PL,
- ↔    →    →    ↔    →    ↔    →    ↔
- C/PL,    C/PL,    C/PL,
- ↔    →
- HC,    HC,    HC,    HR,    HR PL,    HCR,    HCR,    HCR,    HC/R,    HC/R,    HC/R,
- ↔    →    →    →    →    ↔    →    ↔    →    ↔
- HC/,    HC/,    HC/,
- ↔    →
- HC PL,    HC PL,    HC PL,    HCR PL,    HCR PL,    HCR PL,    HC/R PL,    HC/R PL,    HC/R PL,
- ↔    →    →    ↔    →    ↔    →    ↔
- HC/PL,    HC/PL,    HC/PL,
- ↔    →

First application date : March 20, 2010

## 1. Specification data

Type		LA268EM
Function		Headlamp
Color		white
Rated	Voltage	12V
	Wattage	55W
Applicable Regulation (ECE)		R112
Location of marking	Filament Lamp category	H3
		Marked on lens
	Trade mark	DLAA
		Marked on lens

## 2. Construction and material

Construction	Material	Remarks
Lens	Glass	
Reflector	Iron	-----
Housing	Plastic	-----
Electrical wiring	-----	-----

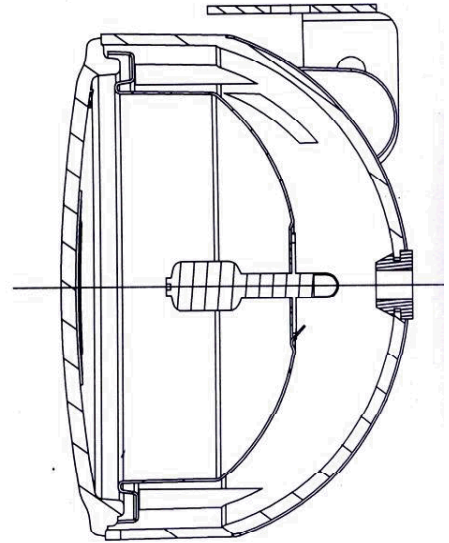
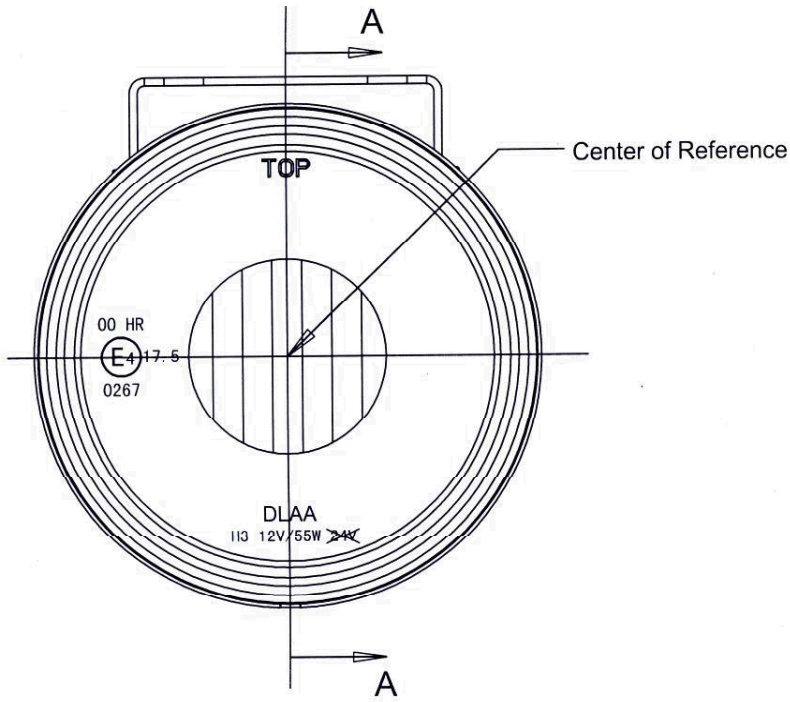
3. Name and address of manufacturer : DLAA INDUSTRIAL CO., LTD.  
Taifeng Industrial Zone, Xiaolan Town,  
Zhongshan City, Guangdong Province,  
528416, P.R. China

4. Name and address of representative of manufacturer : not applicable

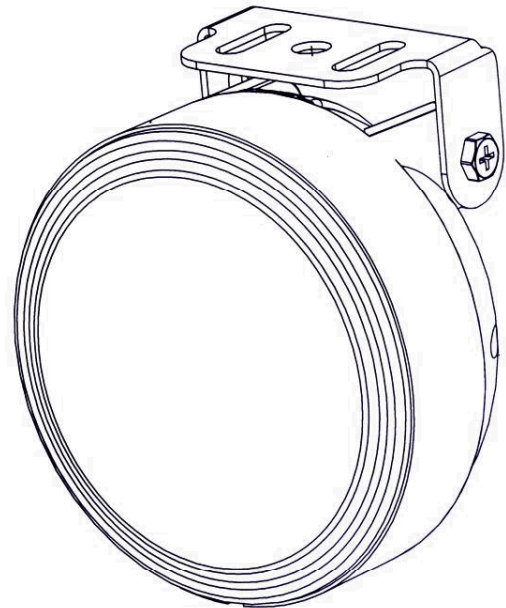
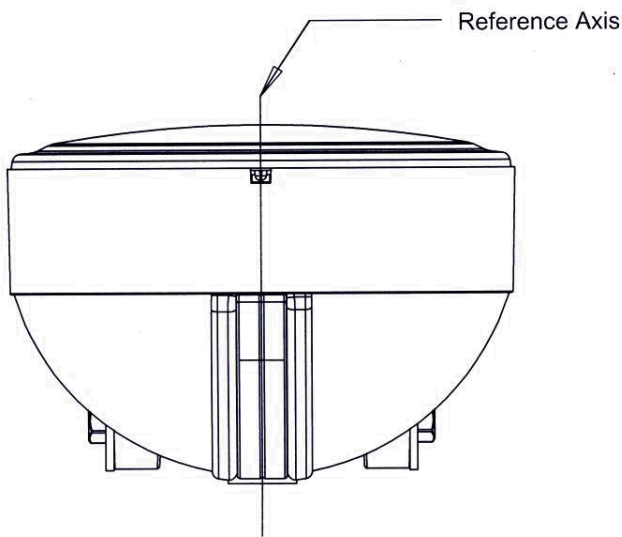
This information document consists of 2 pages

E4-112R-000267



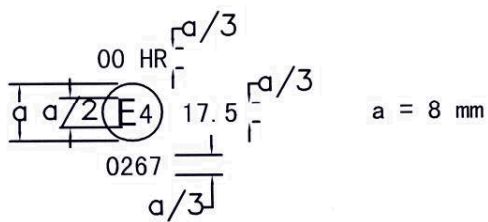


SECTION A-A



1. Marking: DLAA  
H3 12V / 55W 24V

2. Approval Mark



E4-112R-000267

