



THE NETHERLANDS  
(N E D E R L A N D)



COMMUNICATION


Concerning:

- approval granted
- ~~- approval extended~~
- ~~- approval refused~~
- ~~- approval withdrawn~~
- ~~- production definitely discontinued~~

of a type of retro-reflecting device pursuant to Regulation number 3.

Approval number: E4-3R-02 16618

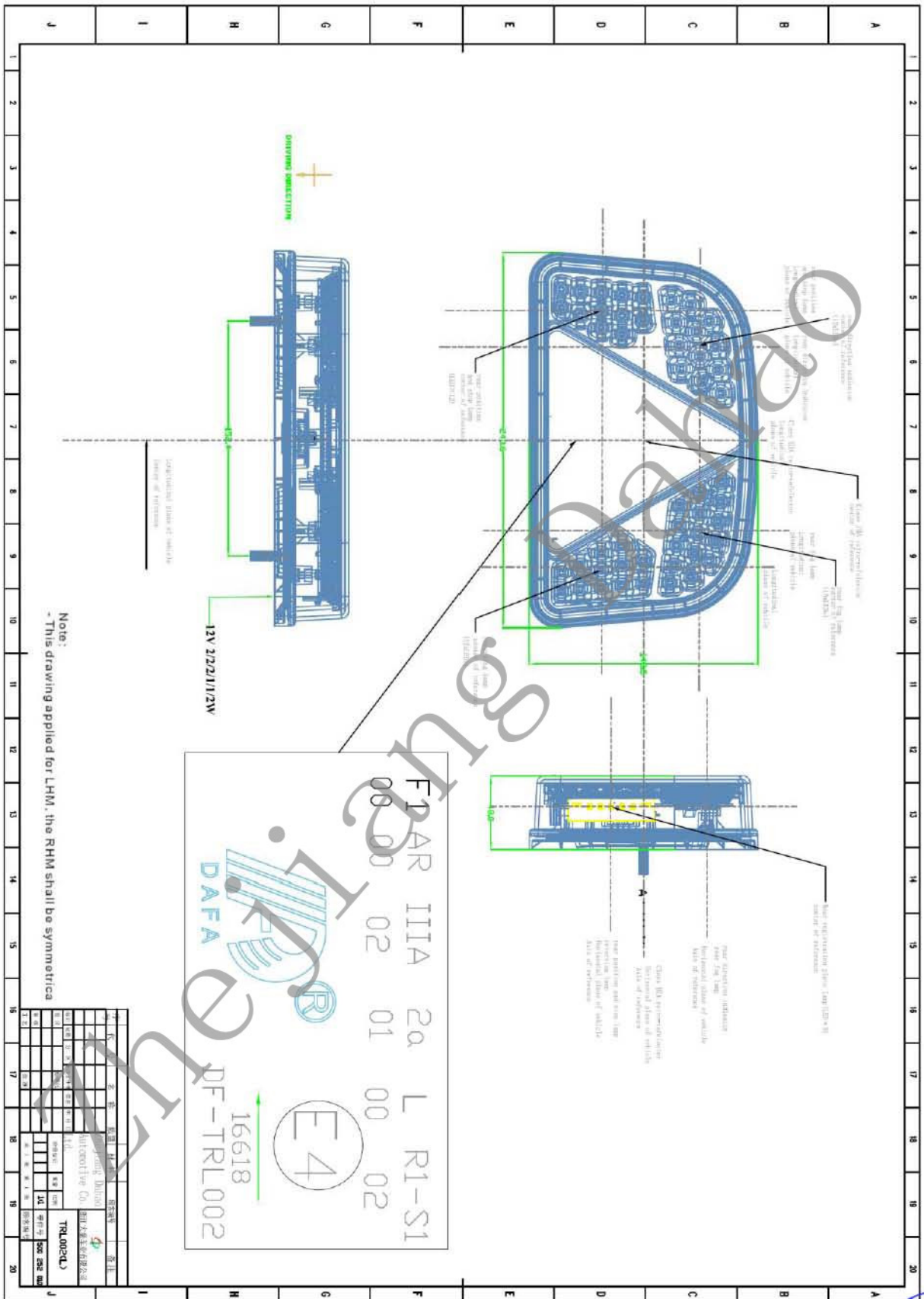
Extension number: 00

- |    |  |   |   |
|----|--|---|---|
| 1. | Trade name or mark of the device                                     | : |                          |
| 2. | Manufacturer's name for the type of device                           | : | DF-TRL002   |
| 3. | Manufacturer's name and address                                      | : | Zhejiang Dahao Automotive Co., Ltd.<br>Xiaotian, Duqiao, Linhai,<br>Taizhou City Zhejiang, 317016,<br>China |
| 4. | If applicable, name and address of the manufacturer's representative | : | --  |
| 5. | Submitted for approval on  | : | 24 July 2012  |
| 6. | Technical service responsible for conducting approval tests          | : | DEKRA Certification B.V.  |
| 7. | Date of test report  | : | 23 October 2012   |
| 8. | Number of test report  | : | 2155463-PHO 12-129-05   |
| 9. | Concise description  | : | IIIA  |
|    | <del>In isolation</del> /part of an assembly of devices              | : | Part of lamp  |



- Colour of light emitted : ~~white/red/amber~~
- Installation as an integral part of a lamp which is integrated into the body of a vehicle : ~~yes/no~~
- Geometric conditions of installation and relating variations, if any : --
10. Position of the approval mark : See annexed drawing
11. Reason(s) for extension (if applicable) : --
12. Approval : ~~granted/refused/extended/withdrawn~~
13. Place : Zoetermeer
14. Date : 02-NOV-2012
15. Signature :
- 

**T.M.H. Guiting**
16. The following documents, bearing the approval number shown above, are available on request:
- 1 drawing No.DF-TRL002 (annexed)
  - Test report as mentioned in item 8.



Note:  
- This drawing applied for LHM, the RHM shall be symmetrical

FDAR IIA 2a L R1-S1  
00 00 02 01 00 02

DAFA

DF-TRL002

16618

E4

1	2	3	4	5	6	7	8	9	10	11	12	13	14	15	16	17	18	19	20
A	B	C	D	E	F	G	H	I	J										



**THE NETHERLANDS  
(N E D E R L A N D)****COMMUNICATION**


Concerning:

- approval granted
- ~~- approval extended~~
- ~~- approval refused~~
- ~~- approval withdrawn~~
- ~~- production definitely discontinued~~

of a type of device for the illumination of rear registration plates of motor vehicles (except motor cycles) and their trailers pursuant to Regulation number 4.

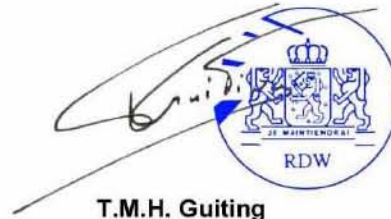
**Approval number: E4-4R-00 16618**

**Extension number: 00**

1. Trade name or mark of the device : 
2. Manufacturer's name for the type of device : DF-TRL002
3. Manufacturer's name and address : Zhejiang Dahao Automotive Co., Ltd.  
Xiaotian, Duqiao, Linhai,  
Taizhou City Zhejiang, 317016,  
China
4. If applicable, name and address of manufacturer's representative : --
5. Submitted for approval on : 24 July 2012
6. Technical service responsible for conducting approval tests : DEKRA Certification B.V.
7. Date of report issued by that service : 23 October 2012
8. Number of report issued by that service : 2155463-PHO 12-129-05
9. Concise description :



- Device for illuminating : a tall plate/a wide plate/a plate for agricultural or forestry tractor
- Number and category(ies) of filament lamp(s) : 5 x non replaceable light sources(LED), 12V, 1W
- Light source module : ~~yes~~/no
- Light source module specific identification code : --
- Geometrical conditions of installation (position(s) and inclination(s) of the device in relation to the space to be occupied by the registration plate and/or different inclinations of this space) : See annexed drawing
10. Position of the approval mark : See annexed drawing
11. Reason(s) for extension (if applicable) : --
12. Approval : granted/~~extended/refused/withdrawn~~
13. Place : Zoetermeer
14. Date : 02 - NOV - 2012
15. Signature :



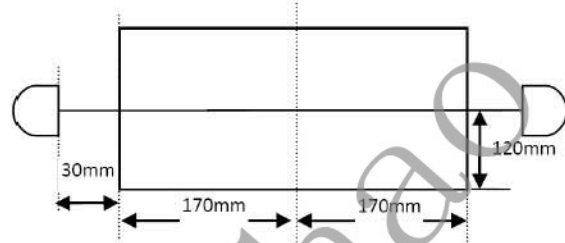
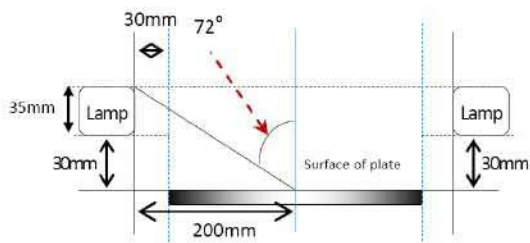
T.M.H. Guiting

16. The list of documents deposited with the Administrative Service which has granted approval is annexed to this communication and may be obtained on request.
- 2 drawings No.DF-TRL002 and Geometrical conditions of installation (annexed)
  - Test report as mention in item 8.

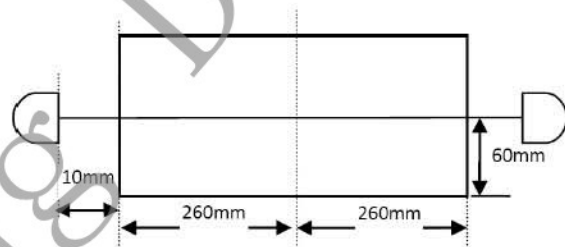
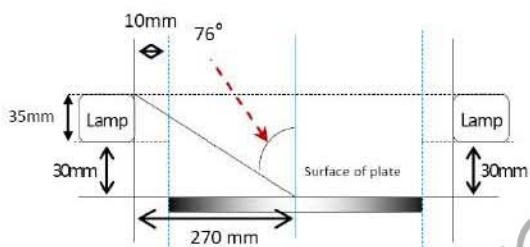


Geometrical conditions of installation

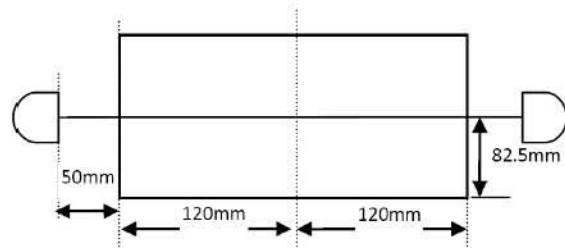
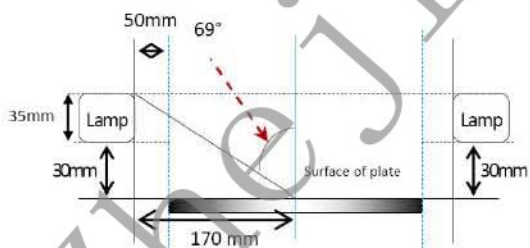
Tall plate



Wide plate



Forestry plate



**THE NETHERLANDS  
(N E D E R L A N D)****COMMUNICATION**


Concerning:

- approval granted
- ~~approval extended~~
- ~~approval refused~~
- ~~approval withdrawn~~
- ~~production definitely discontinued~~

of a type of direction indicator pursuant to Regulation number 6.

**Approval number: E4-6R-01 16618**

**Extension number: 00**

1. Trade name or mark of the device : 
2. Manufacturer's name for the type of device : DF-TRL002
3. Manufacturer's name and address : Zhejiang Dahao Automotive Co., Ltd.  
Xiaotian, Duqiao, Linhai,  
Taizhou City Zhejiang, 317016,  
China
4. If applicable, name and address of the manufacturer's representative : --
5. Submitted for approval on : 24 July 2012
6. Technical service responsible for conducting approval tests : DEKRA Certification B.V.
7. Date of test report issued by that service : 23 October 2012
8. Number of test report issued by that service : 2155463-PHO 12-129-05
9. Concise description :





Category	: 1/1a/1b/2a/2b/3/4/5/6
Number, category	: 12 x non replaceable light sources (LED)
Voltage and wattage	: 12V; 2W
Light source module specific identification code	: --
Only for installation on M1 and/or N1 category vehicles	: <del>yes</del> /no
Only for limited mounting height of equal to or less than 750 mm above the ground	: <del>yes</del> /no
Geometrical conditions of installation and relating variations, if any	: --
Application of an electronic light source control gear/variable intensity control	: --
(a) being part of the lamp	: <del>yes</del> /no
(b) being not part of the lamp	: <del>yes</del> /no
Input voltage(s) supplied by an electronic light source control gear/variable intensity control	: --
Electronic light source control gear/variable intensity control manufacturer and identification number (when the light source control gear is part of the lamp but is not included into the lamp body	: --
Variable luminous intensity	: <del>yes</del> /no
10. Position of the approval mark	: See annexed drawing
11. Reason(s) for extension (if applicable)	: --
12. Approval	: granted/ <del>extended</del> / <del>refused</del> / <del>withdrawn</del>
13. Place	: Zoetermeer
14. Date	: 02-NOV-2012



15. Signature :

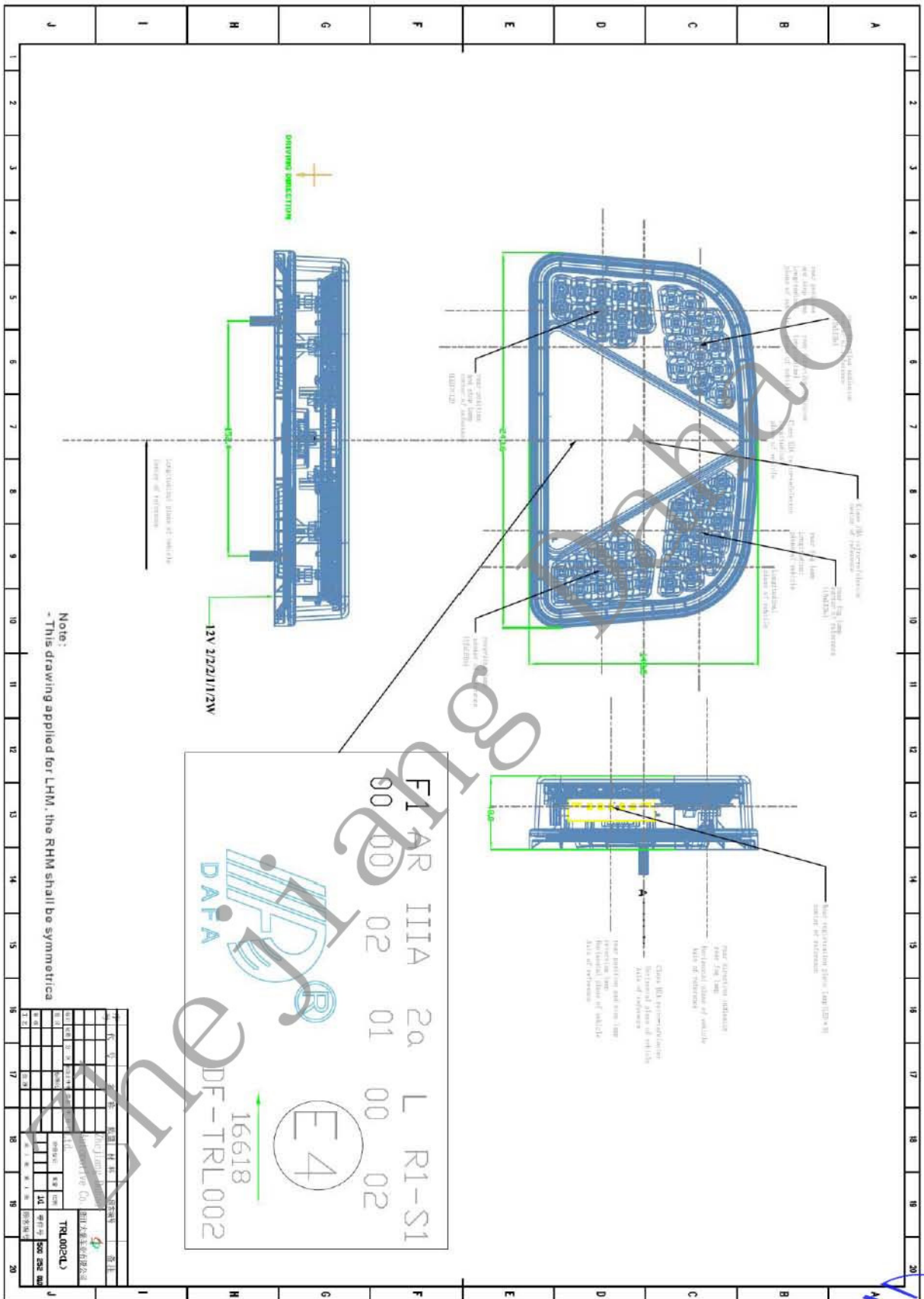


**T.M.H. Guiting**

16. The list of documents deposited with the Administrative Service which has granted approval is annexed to this communication and may be obtained on request.

- 3 Drawings: Drawing No.DF-TRL002, DF-TRL002-2 circuit diagram and Determination of the apparent surface (annexed)
- Test report as mentioned in item 8

Zhejiang Donghao

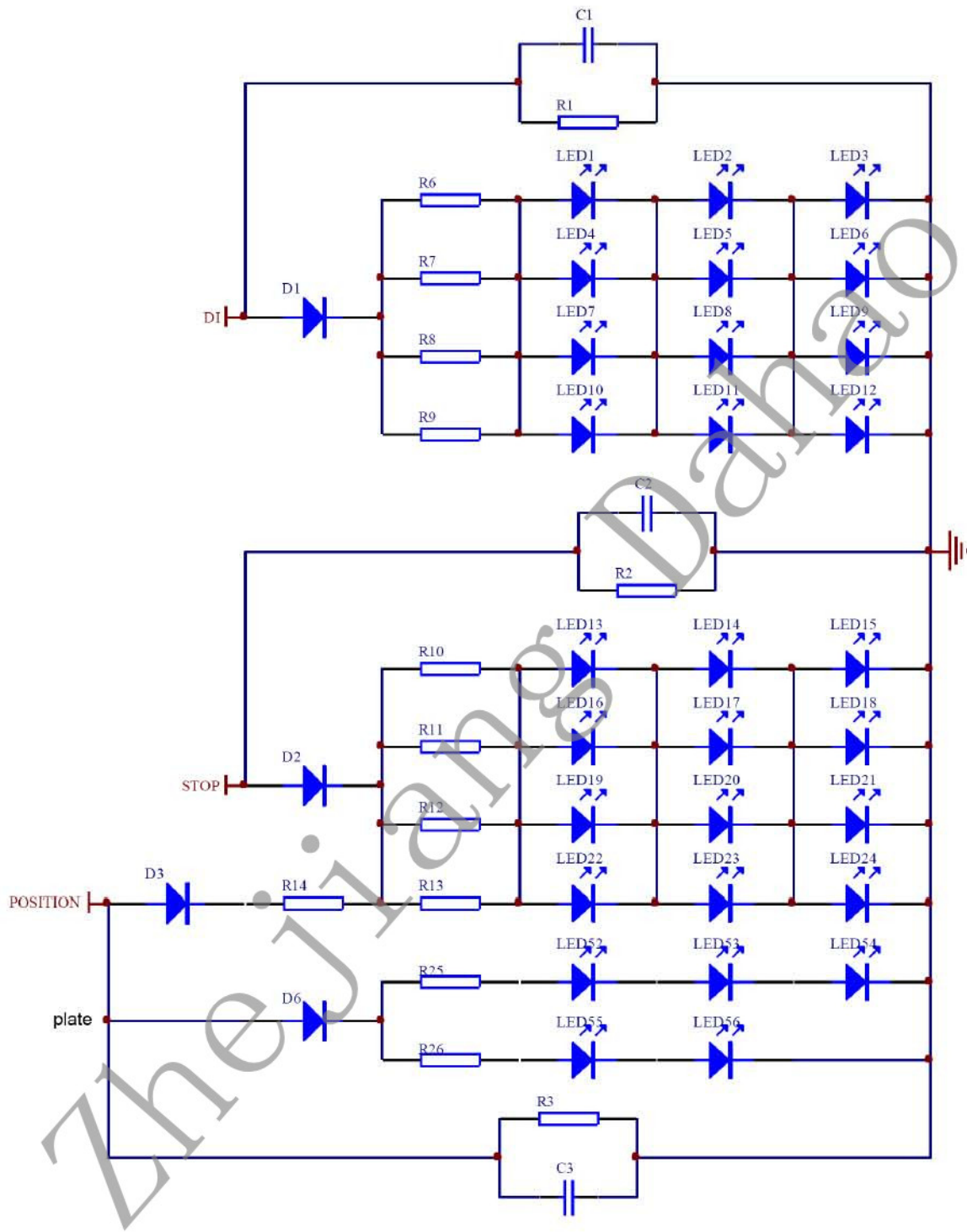


FI AR IIA 2a L R1-S1  
 00 00 02 01 00 02  
 DAFDA  
 16618  
 E4  
 DDF-TRL002

1	2	3	4	5	6	7	8	9	10	11	12	13	14	15	16	17	18	19	20
1	2	3	4	5	6	7	8	9	10	11	12	13	14	15	16	17	18	19	20

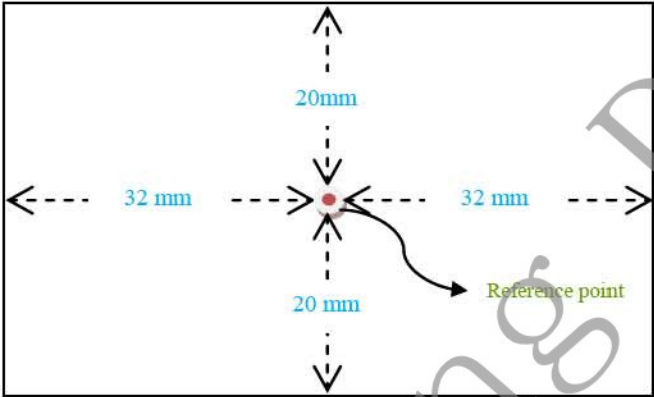


DRAWING NO. TRL002-2 CIRCUIT DIAGRAM  
REAR REGISTRATION, REAR DIRECTION INDICATOR, REAR POSITION AND STOP LAMP



### Determination of the apparent surface

DF-TRL002 Rear Direction Indicator



**THE NETHERLANDS  
(N E D E R L A N D)****COMMUNICATION**

Concerning:

- approval granted
- ~~approval extended~~
- ~~approval refused~~
- ~~approval withdrawn~~
- ~~production definitely discontinued~~

of a type of device pursuant to Regulation number 7.

**Approval number: E4-7R-02 16618**

**Extension number: 00**

1. Trade name or mark of the device : 
2. Manufacturer's name for the type of device : DF-TRL002
3. Manufacturer's name and address : Zhejiang Dahao Automotive Co., Ltd.  
Xiaotian, Duqiao, Linhai,  
Taizhou City Zhejiang, 317016,  
China
4. If applicable, name and address of the manufacturer's representative : --
5. Submitted for approval on : 24 July 2012
6. Technical service responsible for conducting approval tests : DEKRA Certification B.V.
7. Date of report issued by that service : 23 October 2012
8. Number of report issued by that service : 2155463-PHO 12-129-05
9. Concise description:
- 9.1. By category of lamp: R1-S1



- For mounting ~~either outside or inside~~  
~~or both~~ : Outside
- Colour of light emitted : red/~~white~~
- Number, category and kind of light source(s) : 12 x non replaceable light sources (LED)
- Voltage and wattage : 12V; 1W for rear position lamp  
12V; 2W for stop lamp
- Light source module specific identification code : --
- Only for installation on M1 and/or N1 category vehicles : ~~yes~~/no
- Only for limited mounting height of equal to or less than 750 mm above the ground : ~~yes~~/no
- Geometrical conditions of installation and relating variations, if any : --
- Application of an electronic light source control gear/variable intensity control:
- (a) Being part of the lamp : ~~yes~~/no
- (b) Being not part of the lamp : ~~yes~~/no
- Input voltage(s) supplied by an electronic light source control gear/variable intensity control : --
- Electronic light source control gear/variable intensity control manufacturer and identification number (when the light source control gear is part of the lamp but is not included into the lamp body) : --
- Variable luminous intensity : ~~yes~~/no
- 9.2. Function(s) produced by an interdependent lamp forming part of an interdependent lamp system:
- Front position lamp : ~~yes~~/no
- R1 Rear position lamp : ~~yes~~/no
- R2 Rear position lamp : ~~yes~~/no
- S1 Stop lamp : ~~yes~~/no
- S2 Stop lamp : ~~yes~~/no
- S3 Stop lamp : ~~yes~~/no
- S4 Stop lamp : ~~yes~~/no
- End-outline marker lamp : ~~yes~~/no
10. Position of the approval mark : See annexed drawing



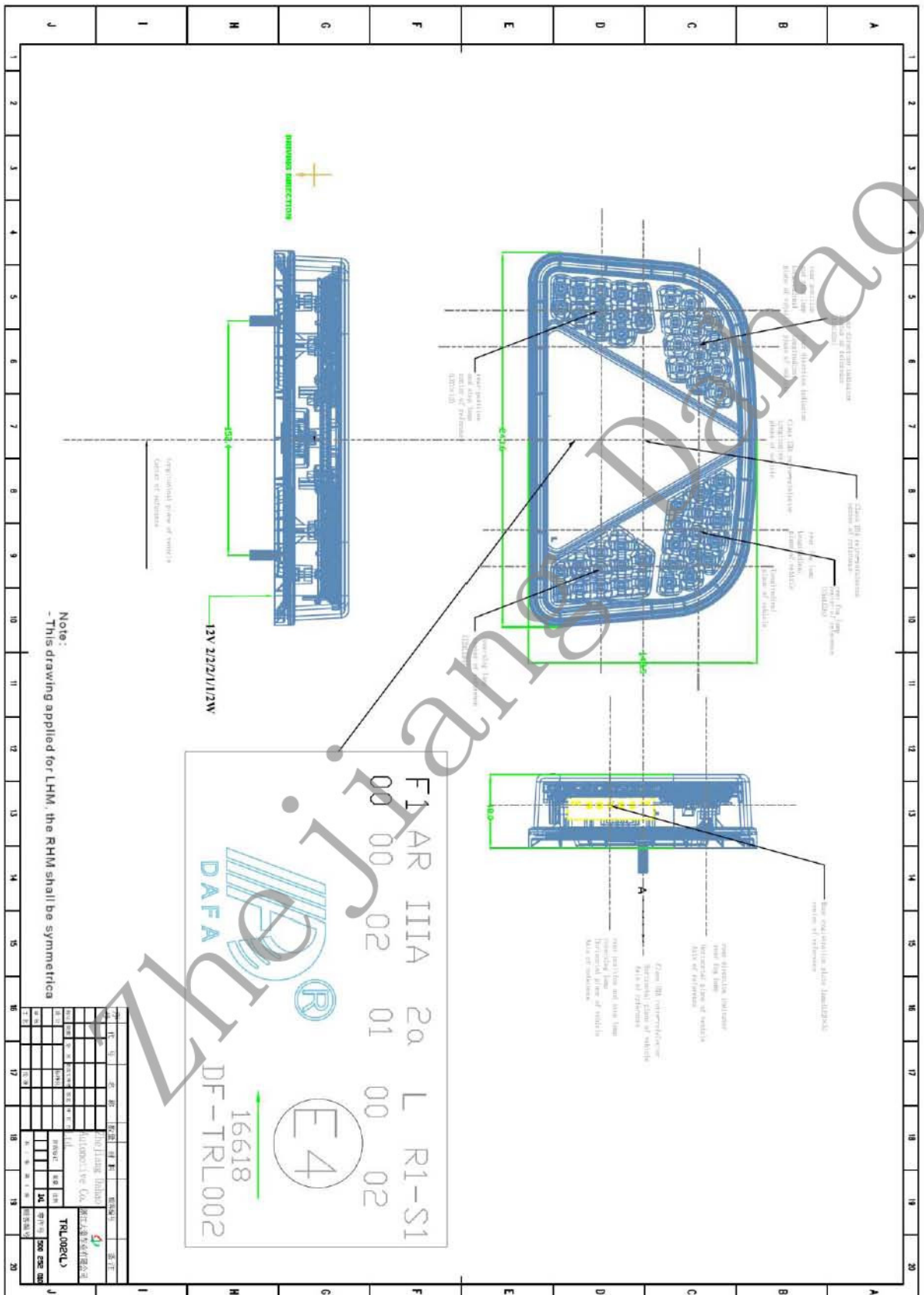
11. Reason(s) for extension (if applicable) : --
12. Approval : granted/~~extended/refused/withdrawn~~
13. Place : Zoetermeer
14. Date : 02-NOV-2012
15. Signature :

  
  
RDW

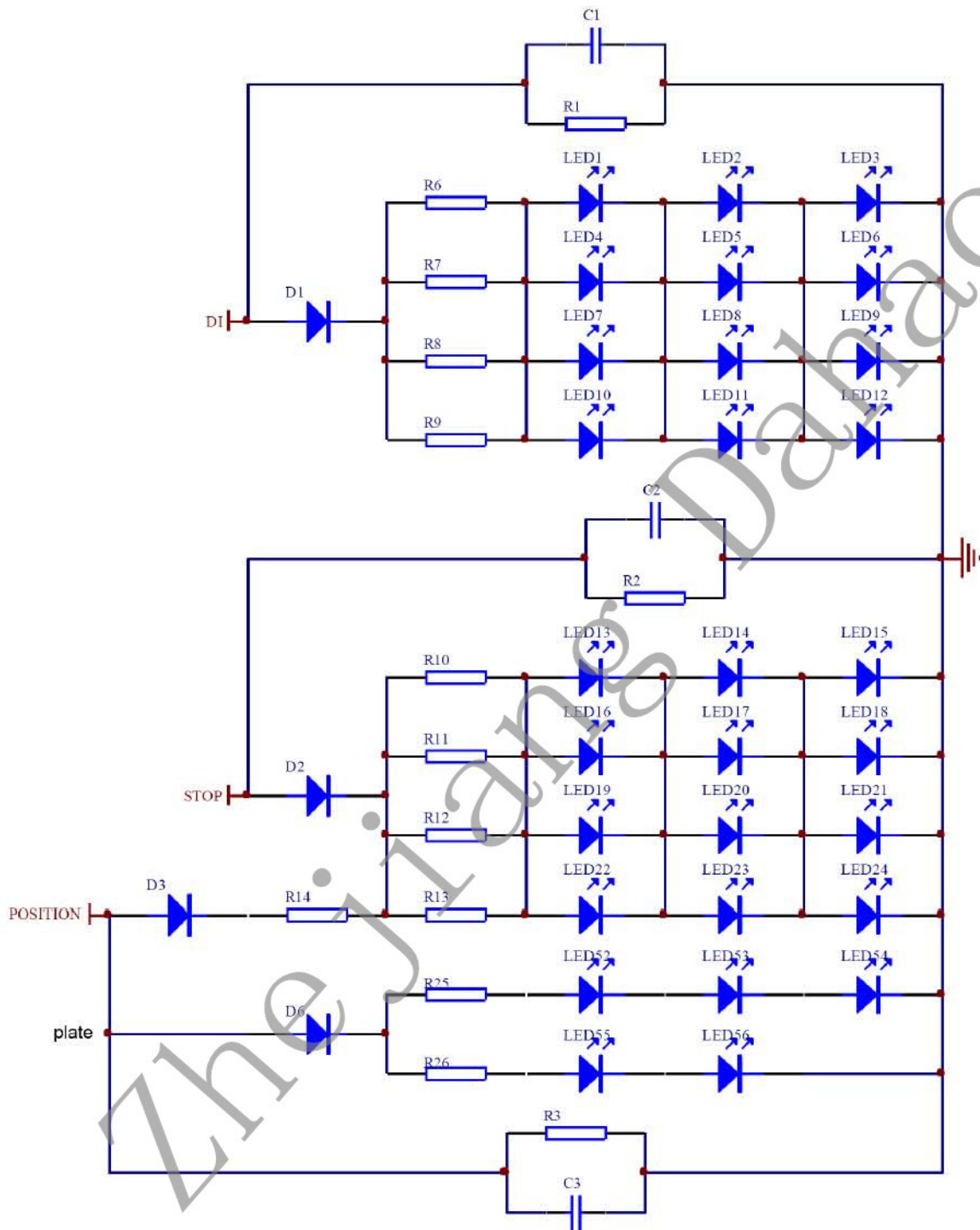
T.M.H. Guiting

16. The list of documents deposited with the Administrative Service which has granted approval, is annexed to this communication and may be obtained on request.
- 3 drawings No.DF-TRL002, DF-TRL002-2 circuit diagram and Determination of the apparent surface (annexed)
  - Test report as mentioned in item 8.



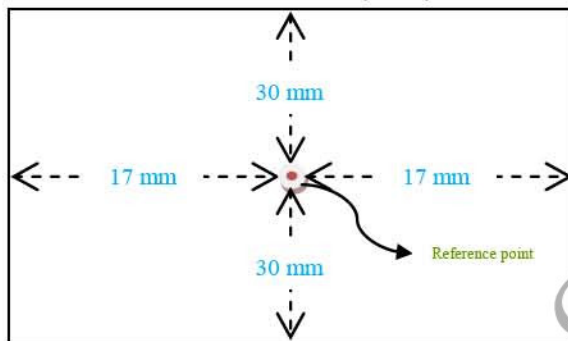


DRAWING NO. TRL002-2 CIRCUIT DIAGRAM  
 REAR REGISTRATION, REAR DIRECTION INDICATOR, REAR POSITION AND STOP LAMP



Determination of the apparent surface

DF-TRL002 Rear Position and Stop Lamp



**THE NETHERLANDS  
(N E D E R L A N D)****COMMUNICATION**


Concerning:

- ~~-approval granted~~
- ~~- approval extended~~
- ~~-approval refused~~
- ~~-approval withdrawn~~
- ~~-production definitely discontinued~~

of a type of reversing lamp pursuant to Regulation number 23.

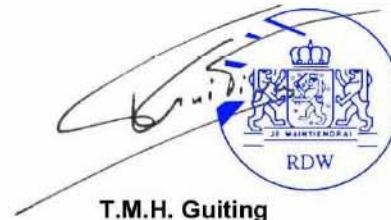
**Approval number: E4-23R-00 16618**

**Extension number: 00**

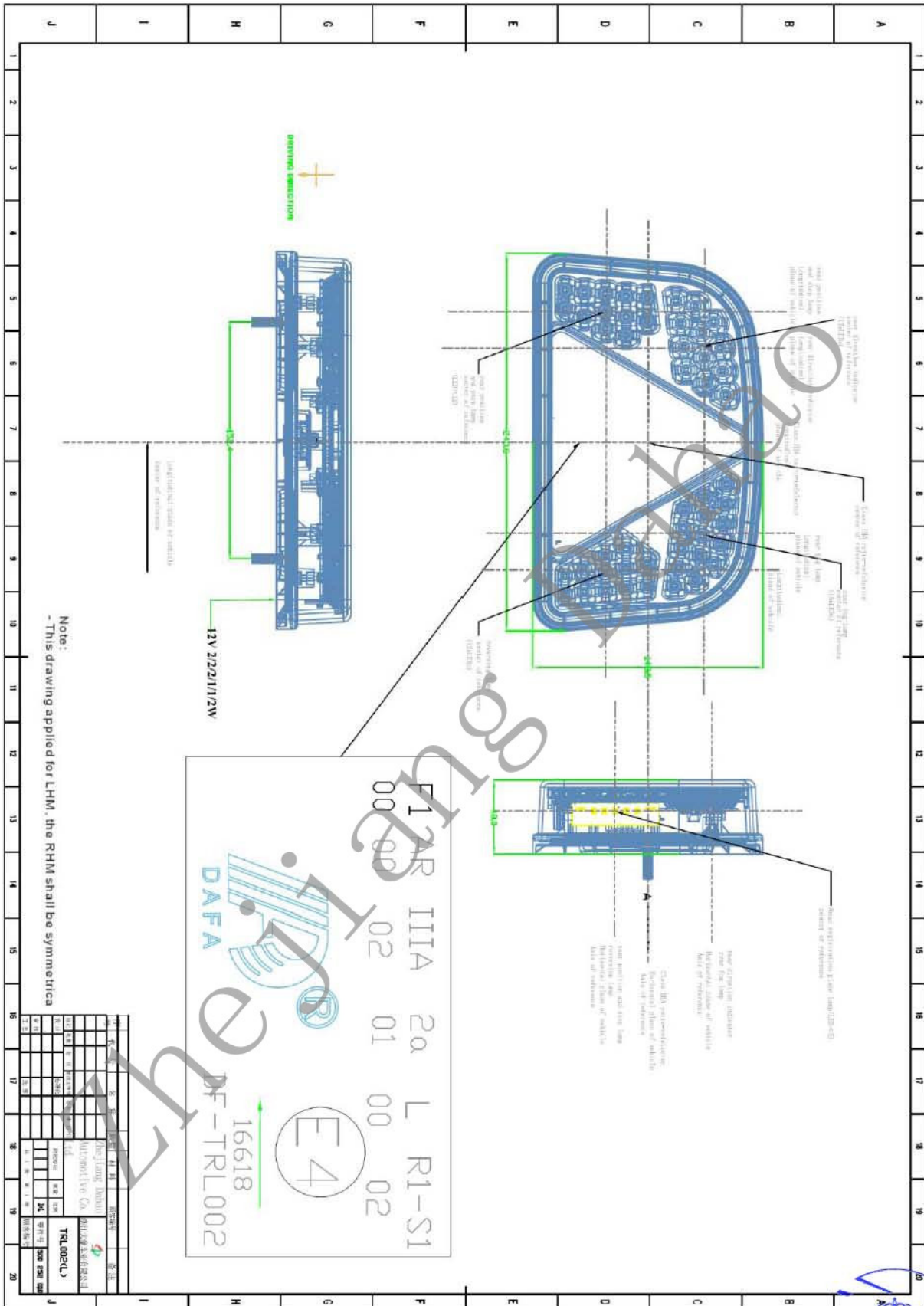
1. Trade name or mark of the device : 
2. Manufacturer's name for the type of device : DF-TRL002
3. Manufacturer's name and address : Zhejiang Dahao Automotive Co., Ltd.  
Xiaotian, Duqiao, Linhai,  
Taizhou City Zhejiang, 317016,  
China
4. If applicable, name and address of the manufacturer's representative : --
5. Submitted for approval on : 24 July 2012
6. Technical service responsible for conducting approval tests : DEKRA Certification B.V.
7. Date of report issued by that service : 23 October 2012
8. Number of report issued by that service : 2155463-PHO 12-129-05
9. Concise description:



- Number, category and kind of light source(s) : 12 x non replaceable light sources (LED)
- Voltage and wattage : 12V; 2W
- Application of an electronic light source control gear:
- (a) Being part of the lamp : ~~yes~~/no
- (b) Being not part of the lamp : ~~yes~~/no
- Input voltage(s) supplied by an electronic light source control gear : --
- Electronic light source control gear manufacturer and identification number (when the light source gear is part of the lamp but is not included into the lamp body) : --
- Light source module : ~~yes~~/no
- Light source module specific identification code : --
- Geometrical conditions of installation and relating variations, if any : --
10. Position of the approval mark : See annexed drawings
11. Comments:
- This device shall be installed on a vehicle only as part of a pair of devices : ~~yes~~/no
12. Reason(s) for extension (if applicable) : --
13. Approval : ~~granted/extended/refused/withdrawn~~
14. Place : Zoetermeer
15. Date : 02-NOV-2012
16. Signature :



T.M.H. Guiting



F112R IIIA 2a L R1-S1  
 00 00 02 01 00 02  
 DAFA  
 16618  
 DF-TRL002  
 E4

1	2	3	4	5	6	7	8	9	10	11	12	13	14	15	16	17	18	19	20
1	2	3	4	5	6	7	8	9	10	11	12	13	14	15	16	17	18	19	20



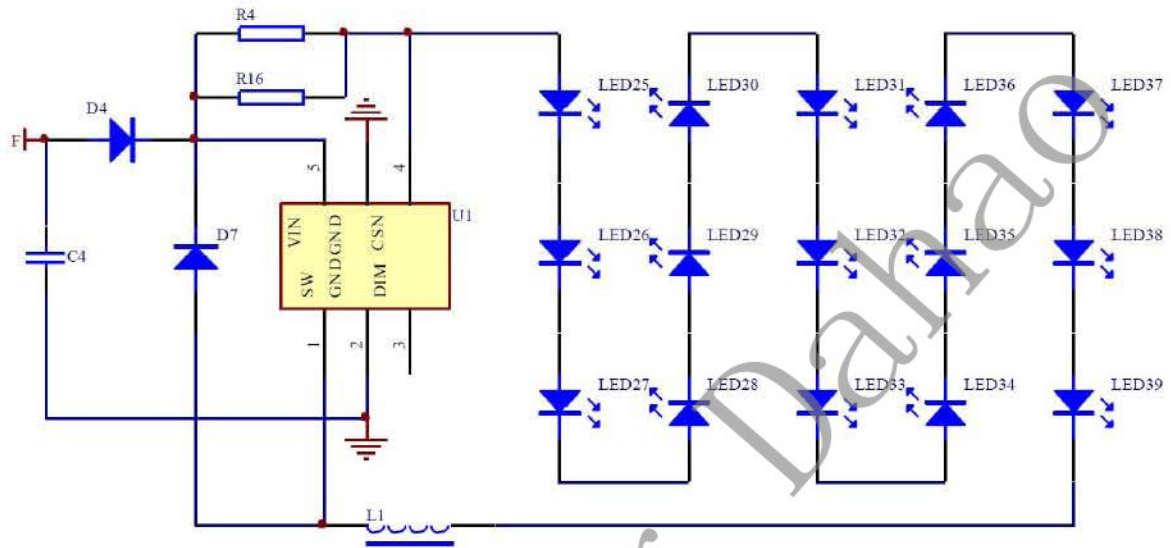
17. The list of documents deposited with the Administrative Service which has granted approval is annexed to this communication and may be obtained on request.
- 3 Drawings No.DF-TRL002, DF-TRL002-1 and Determination of the apparent surface (annexed)
  - Test report as mentioned in item 8.

Zhejiang Daxue

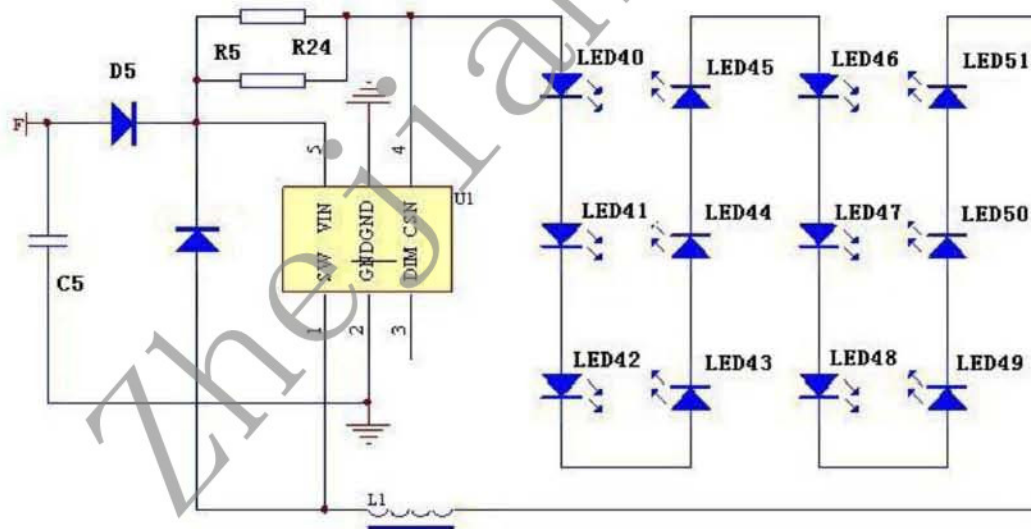


DRAWING NO.TRL002 -1 CIRCUIT DIAGRAM

REAR FOG

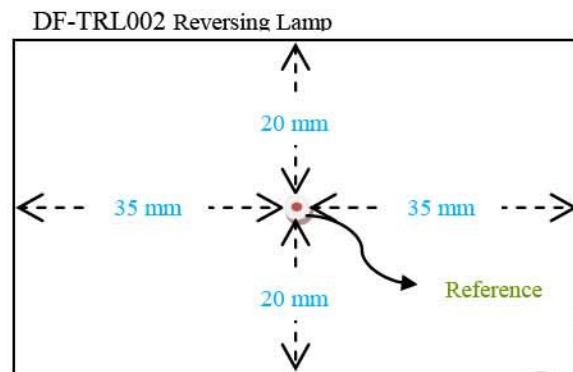


REVERSING LAMP





Determination of the apparent surface



Zhejiang Dahao



**THE NETHERLANDS  
(N E D E R L A N D)****COMMUNICATION**

Concerning:

- approval granted
- ~~- approval extended~~
- ~~- approval refused~~
- ~~- approval withdrawn~~
- ~~- production definitely discontinued~~



of a type of rear fog lamp for vehicle and their trailers pursuant to Regulation number 38.

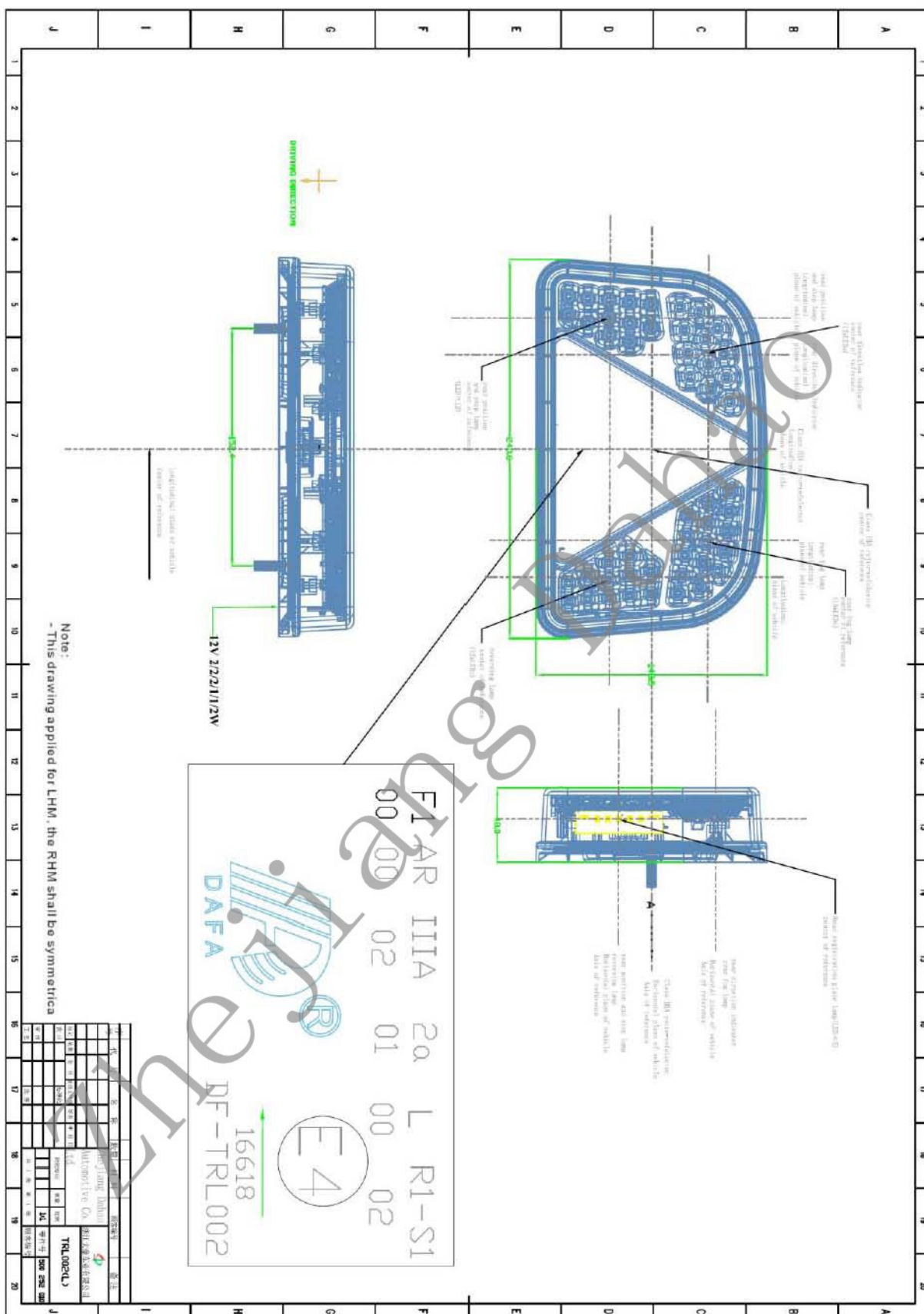
**Approval number: E4-38R-00 16618**

**Extension number: 00**

1. Trade name or mark of the device : 
2. Manufacturer's name for the type of device : DF-TRL002
3. Manufacturer's name and address : Zhejiang Dahao Automotive Co., Ltd.  
Xiaotian, Duqiao, Linhai,  
Taizhou City Zhejiang, 317016,  
China
4. If applicable, name and address of the manufacturer's representative : --
5. Submitted for approval on : 24 July 2012
6. Technical service responsible for conducting approval tests : DEKRA Certification B.V.
7. Date of report issued by that service : 23 October 2012
8. Number of reports issued by that service : 2155463-PHO 12-129-05
9. Concise description:



- Number, category and kind of light source(s) : 15 x non replaceable light sources (LED)
- Voltage and wattage : 12V; 2W
- Light source module specific identification code : --
- Geometrical conditions of installation and relating variations, if any : --
- Application of an electronic light source control gear/variable intensity control:
- (a) Being part of the lamp : ~~yes~~/no
- (b) Being not part of the lamp : ~~yes~~/no
- Input voltage(s) supplied by an electronic light source control gear/variable intensity control : --
- Electronic light source control gear/variable intensity control manufacturer and identification number (when the light source control gear is part of the lamp but is not included into the lamp body) : --
- Variable luminous intensity : ~~yes~~/no
10. Position of the approval mark : See annexed drawings
11. Reason(s) for extension (if applicable) : --
12. Approval : ~~granted/extended/refused/withdrawn~~
13. Place : Zoetermeer
14. Date : 02-NOV-2012
15. Signature :   
  
**T.M.H. Guiting**
16. The list of documents deposited with the Administrative Service which has granted approval is annexed to this communication and may be obtained on request.
- 3 Drawings No.DF-TRL002, DF-TRL002-1 circuit diagram and Determination of the apparent surface (annexed)
  - Test report as mentioned in item 8.



FI AR IIIA 2a L R1-S1  
 00 00 02 01 00 02

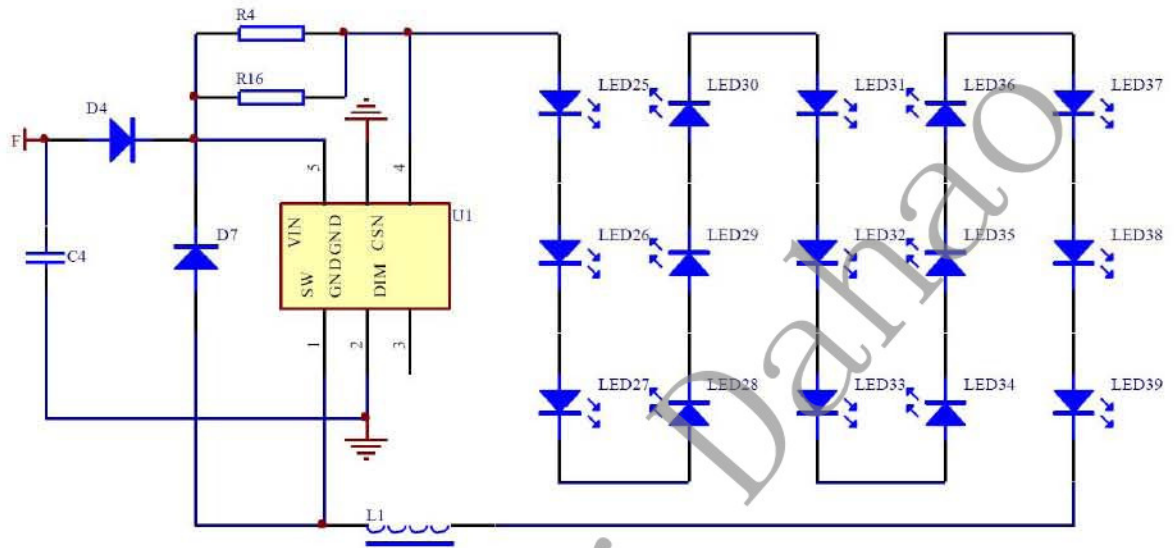
DAFA  
 16618  
 RF-TRL002

E4

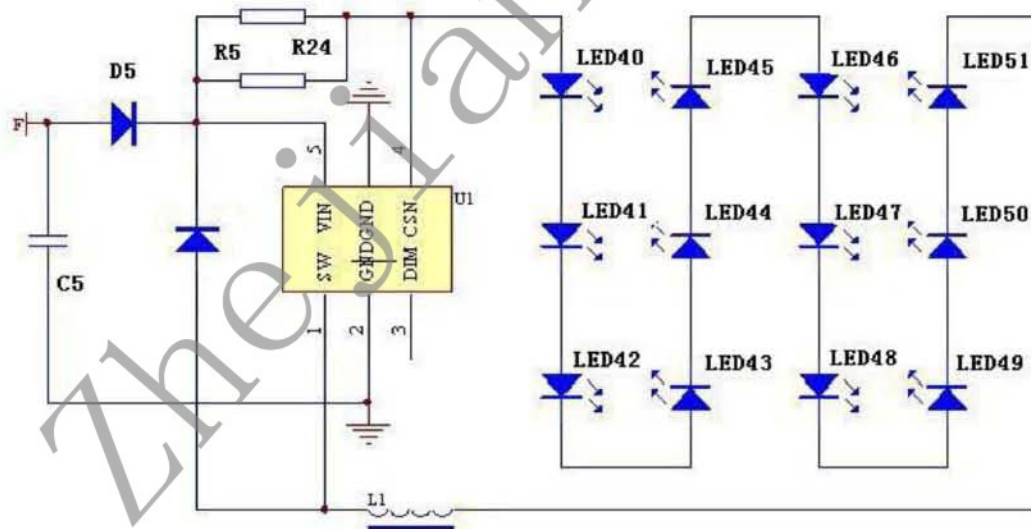
1	2	3	4	5	6	7	8	9	10	11	12	13	14	15	16	17	18	19	20



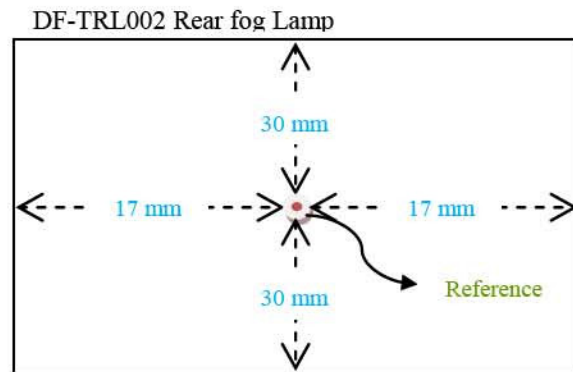
DRAWING NO.TRL002 -1 CIRCUIT DIAGRAM  
REAR FOG



REVERSING LAMP



Determination of the apparent surface



Zhejiang Dahao

